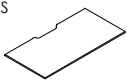
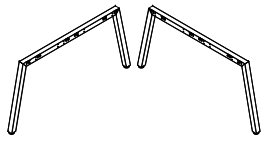

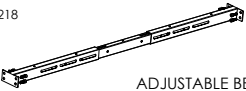
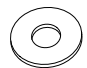
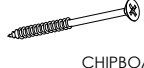
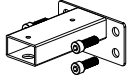
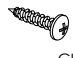
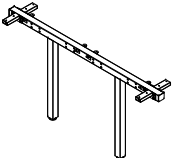
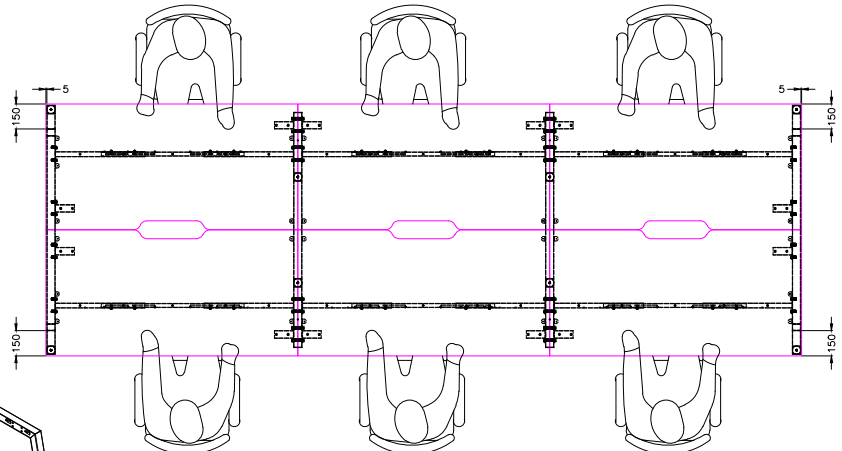
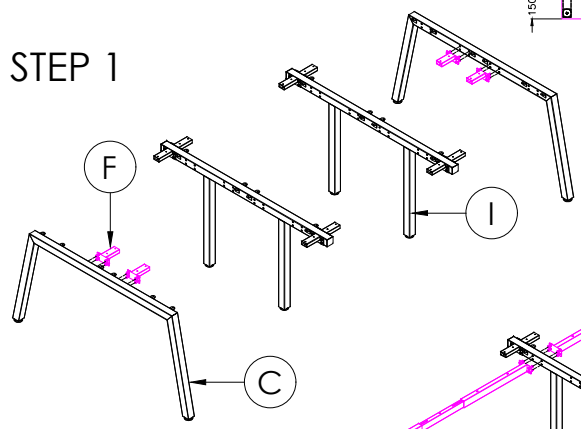
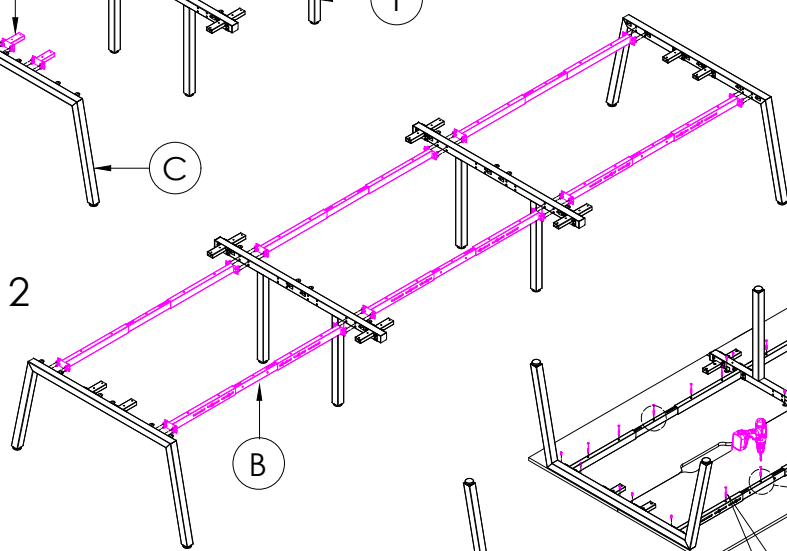


A	VARIOUS SIZES  DESKTOP	x6	C	 2x AN-LE15	x1	D	M6 x 20mm  BUTTON HEAD ALLEN BOLT	x24
B	ST-AB1218  ADJUSTABLE BEAM	x6	G	 3mm SPACER	x6	E	70mm  CHIPBOARD SCREW	x30
F	100mm x 50mm  BRACKET	x4	H	 25mm CHIPBOARD SCREW	x28			
I	 ST-INDS	x2						

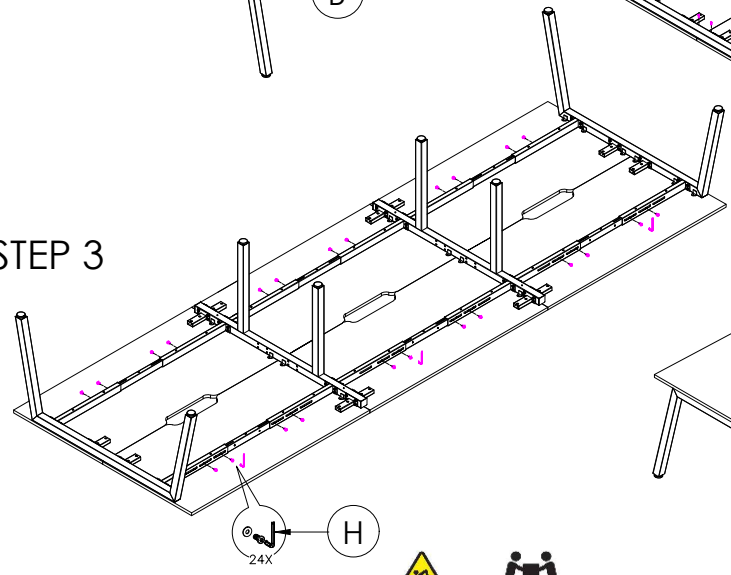
STEP 1



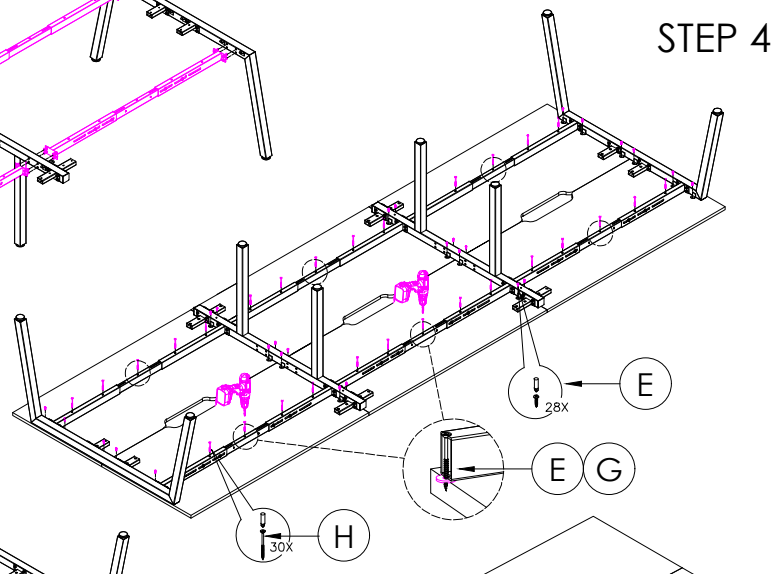
STEP 2



STEP 3



STEP 4



FINAL

