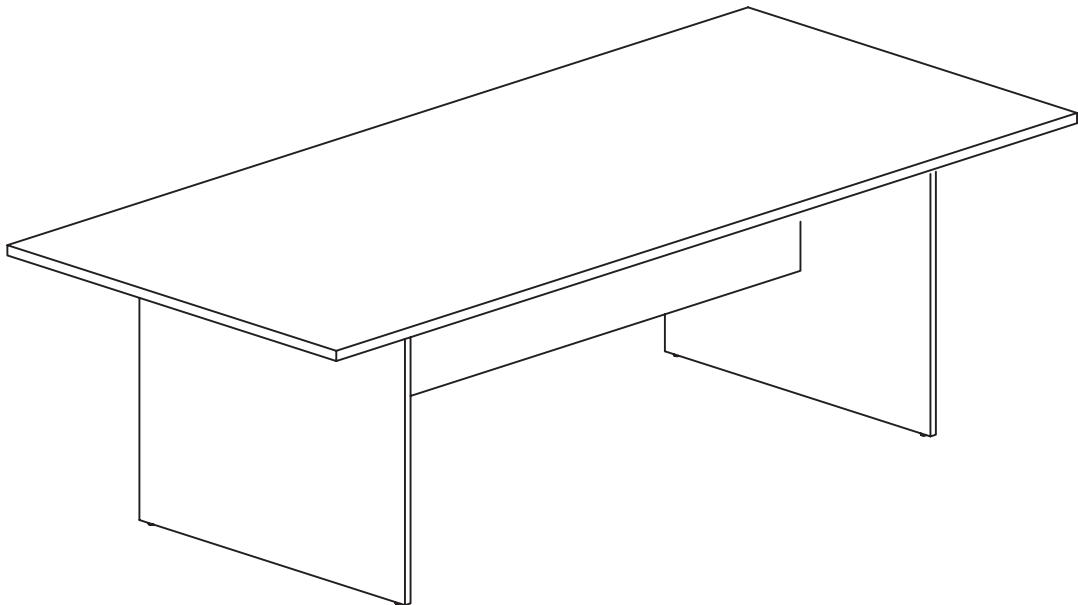
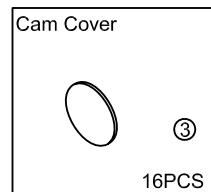
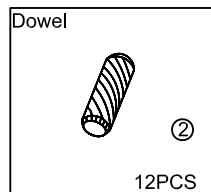
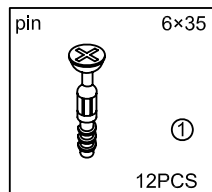
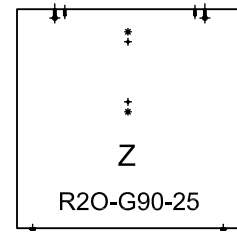
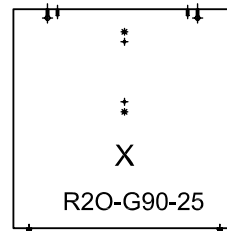
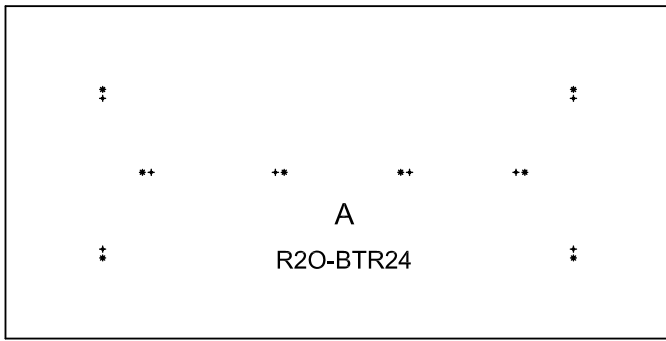


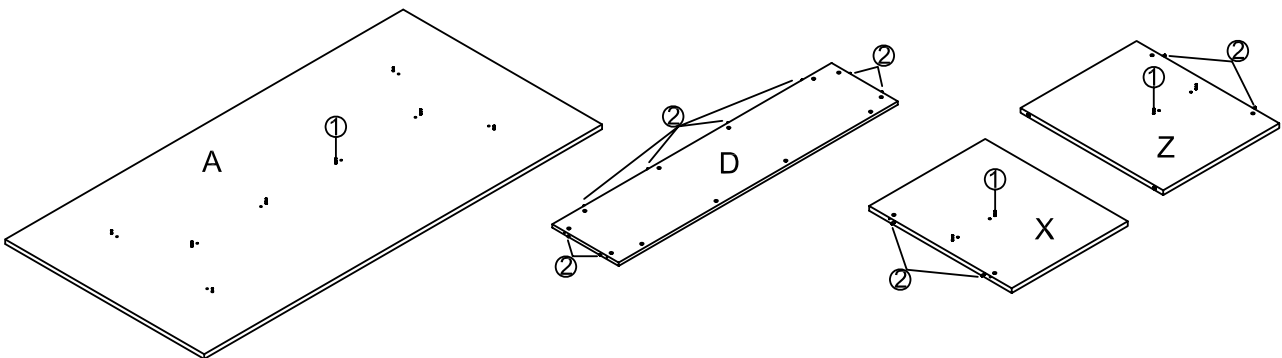
READY **2GO**

**ASSEMBLY INSTRUCTIONS**  
**OFFICE Boardroom Tables**  
**R20-TBR24**





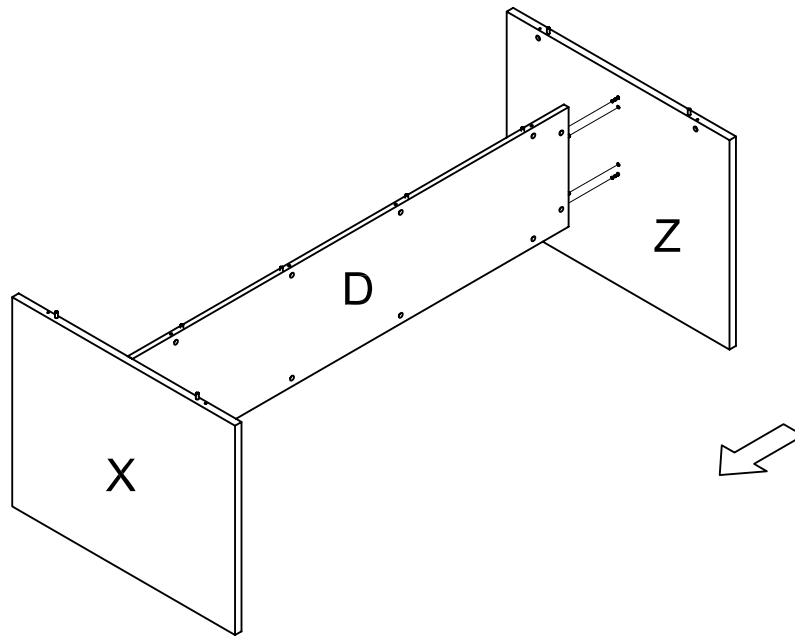
1



**Preparation for top A, left side panel X, right side panel Z and back panel D.**

1. Insert cam bolts ① into top A, X and Z as illustrated above.
2. Insert dowel pins ② into left side panel X, Z and D as illustrated above.

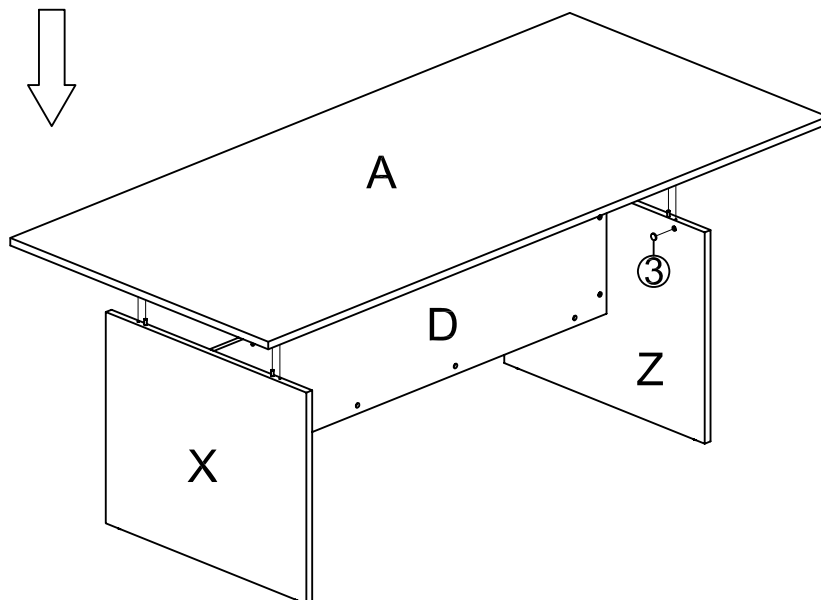
**2**



**Desk left side panel X, right side panel Z and back panel D assembly.**

1. Insert cam bolts ① on panels X and Z into cam on panel D and tighten in a clockwise direction as illustrated above.

**3**

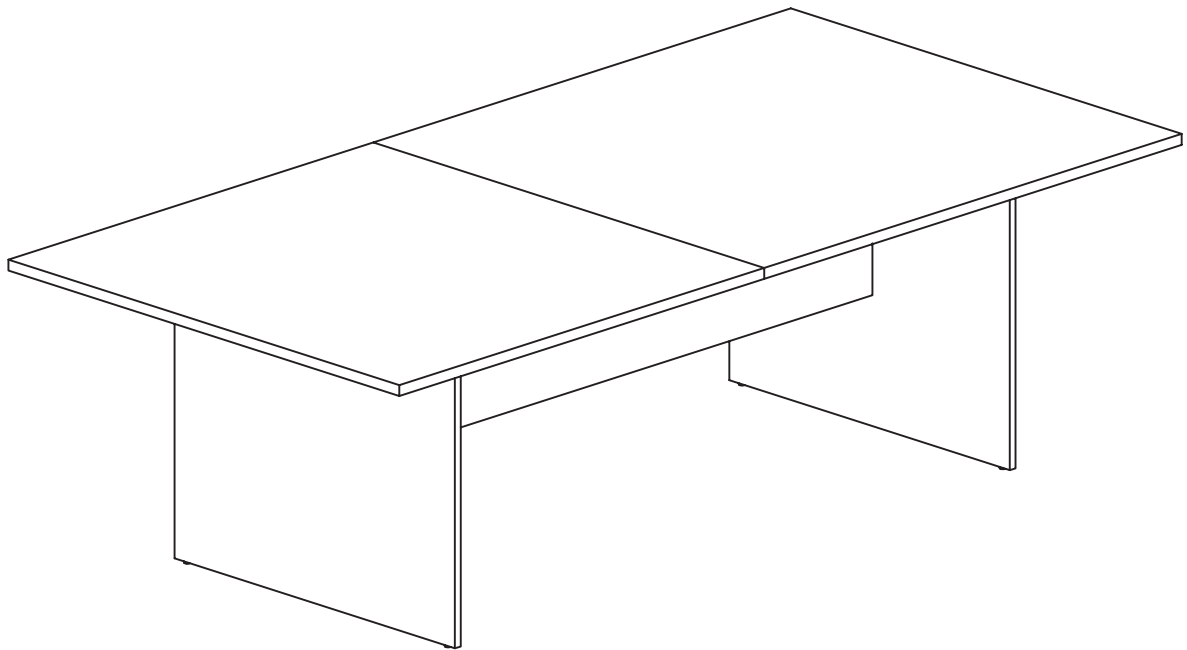


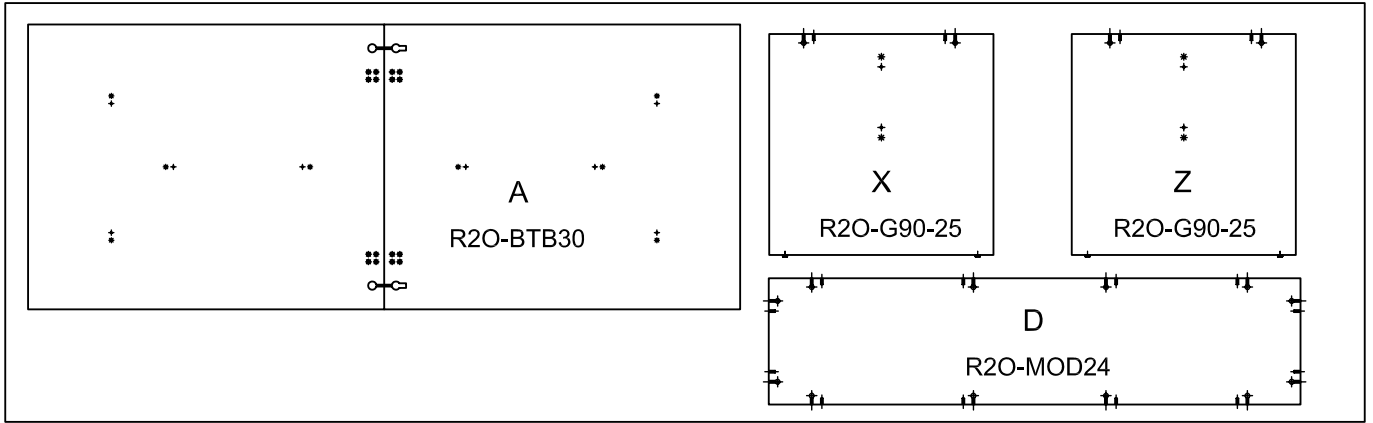
**Meeting table top A assembly.**








1. Insert cam bolts ① on panel A into cams on panels D, X and Z and tighten in a clockwise direction as illustrated above.
2. Cover the cam covers ③ on the top of all the cams.

READY **2GO**

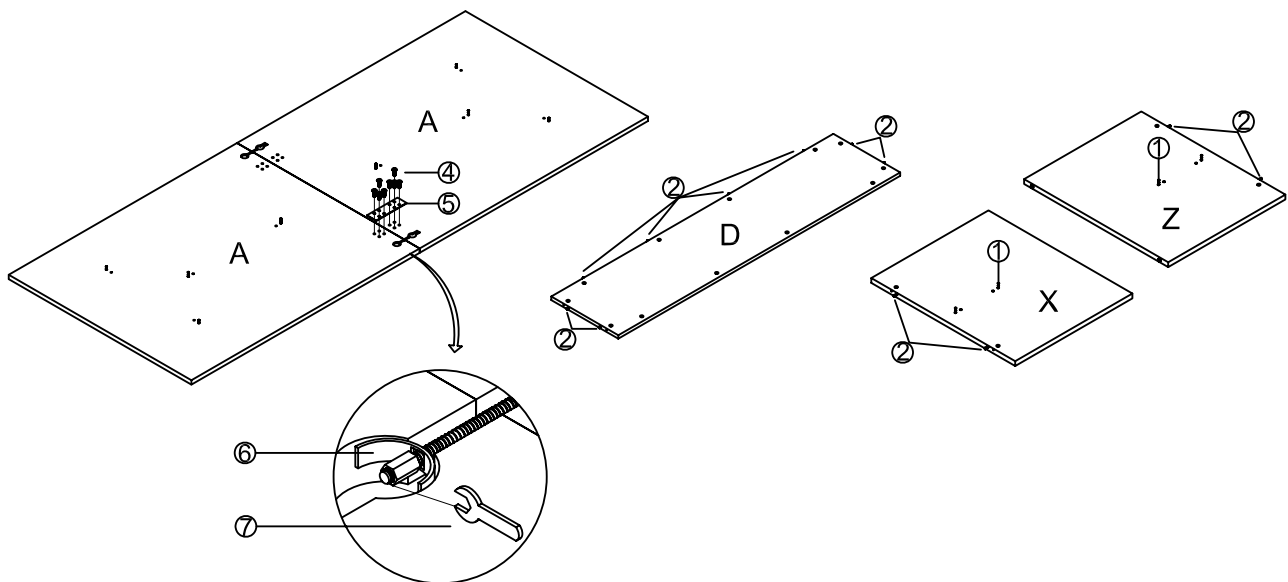
**ASSEMBLY INSTRUCTIONS**  
**OFFICE Boardroom Tables**  
**R20-TBR30**





 pin 6×35 ① 12PCS	 Dowel ② 12PCS	 Cam Cover ③ 16PCS	 Screw 6×12 ④ 16PCS	 Connector 200×60 ⑤ 2PCS	 Connector 6×100 ⑥ 2PCS	 Spanner ⑦ 1PCS
---	--	--	---	---	---	---

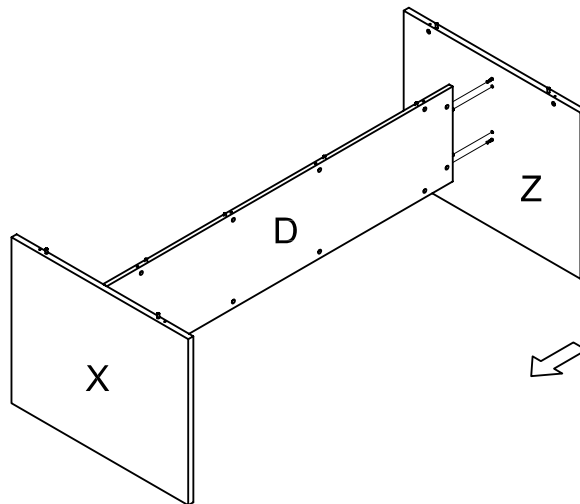
1



**Preparation for top A, left side panel X, right side panel Z and back panel D.**

1. Insert cam bolts ① into top A, X and Z as illustrated above.
2. Insert dowel pins ② into left side panel X, Z and D as illustrated above.
3. Joining two top panels A with ④ ⑤ ⑥ as illustrated above.

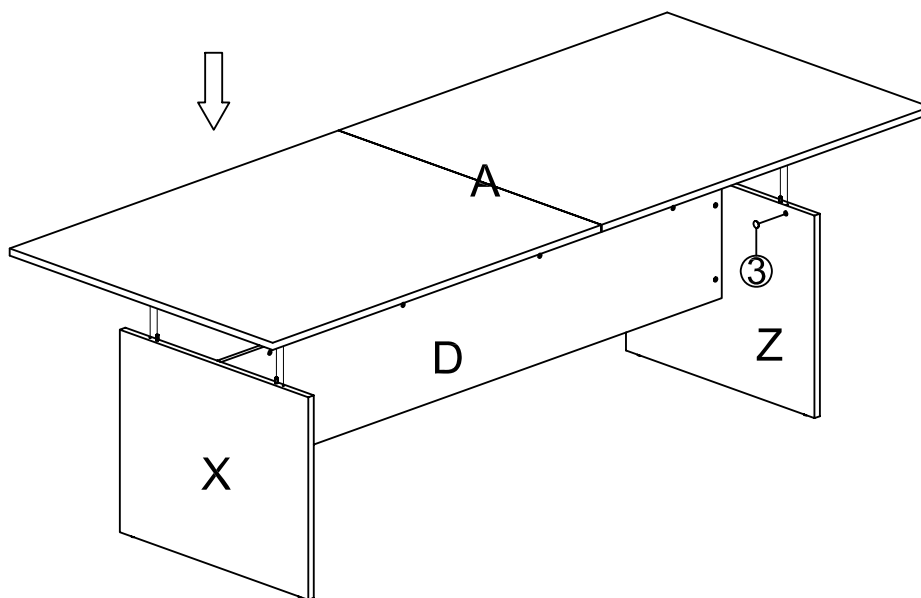
**2**



**Desk left side panel X, right side panel Z, and back panel D assembly.**

1. Insert cam bolts ① on panels X and Z into cam on panel D and tighten in a clockwise direction as illustrated above.

**3**



**Meeting table top A assembly.**

1. Insert cam bolts ① on panel A into cams on panels D, X and Z and tighten in a clockwise direction as illustrated above.
2. Cover the cam covers ③ on the top of all the cams.