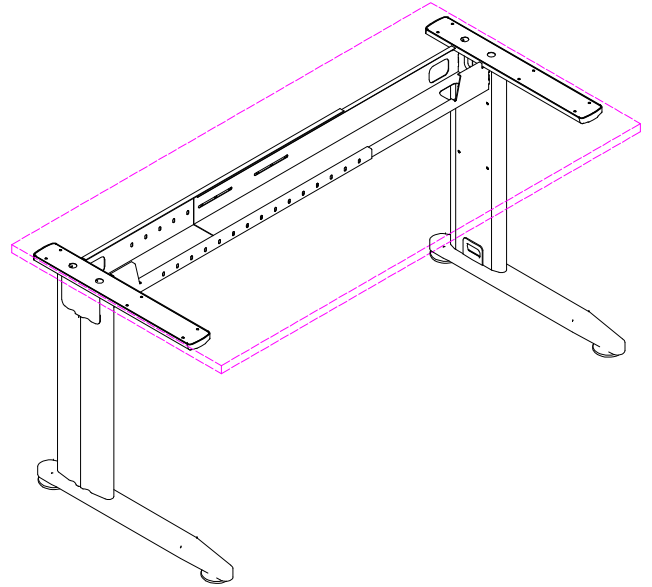
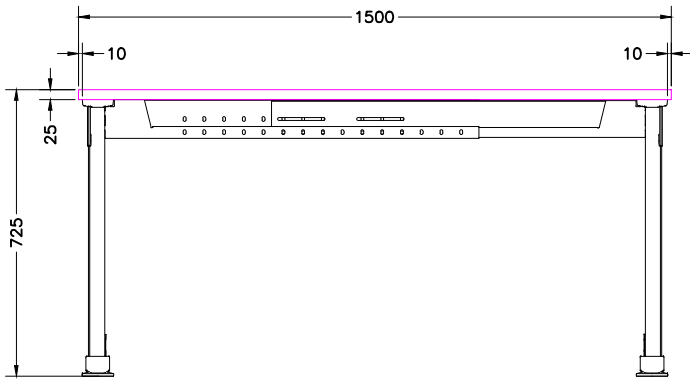


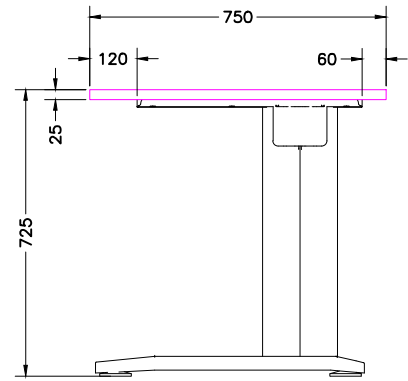
TOP VIEW



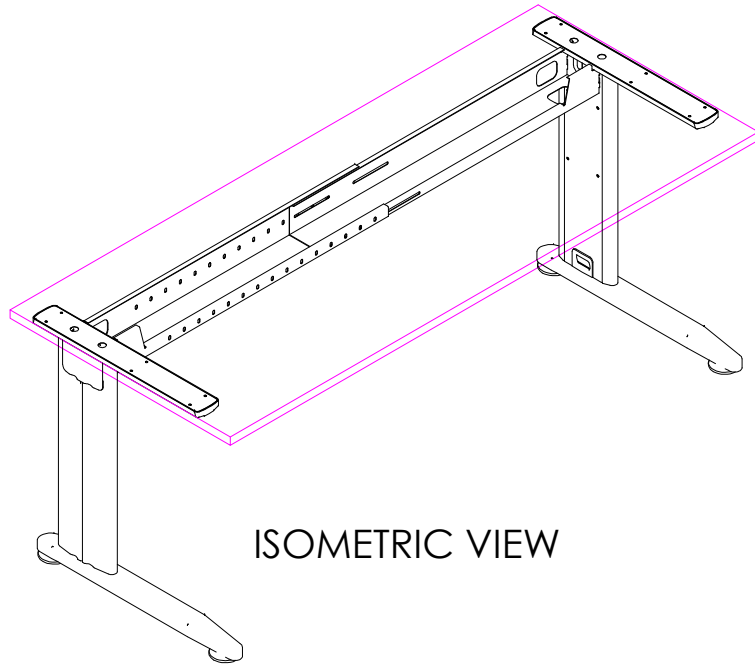
ISOMETRIC VIEW



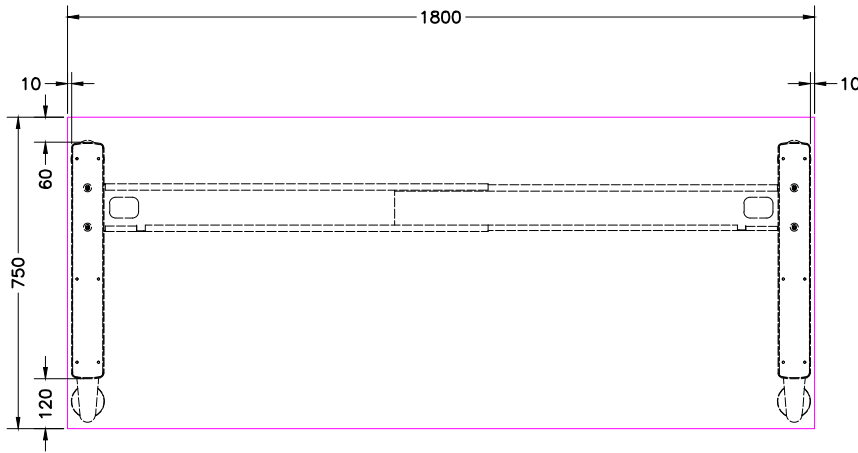
FRONT VIEW



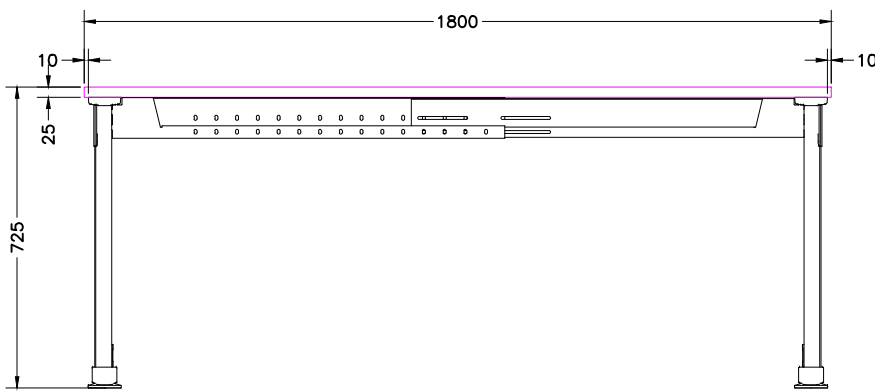
SIDE VIEW



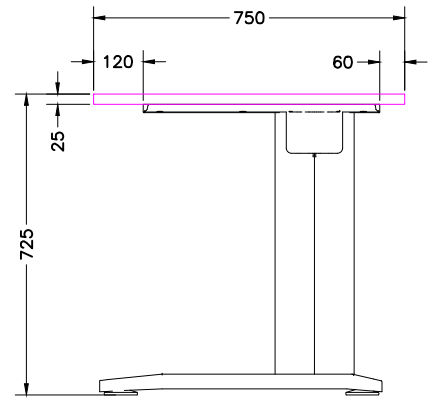
ISOMETRIC VIEW



TOP VIEW



FRONT VIEW



SIDE VIEW