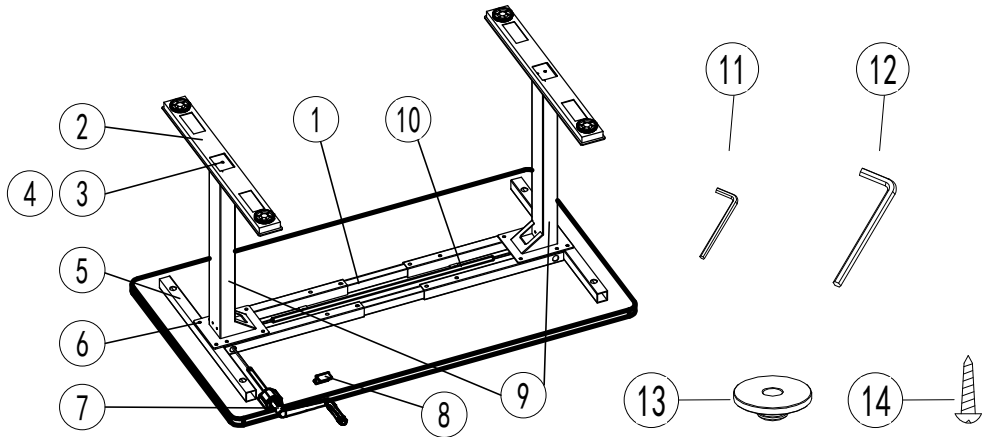


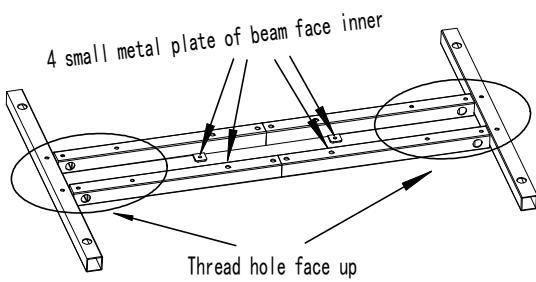
# Assembly Instructions

Parts and Tools list

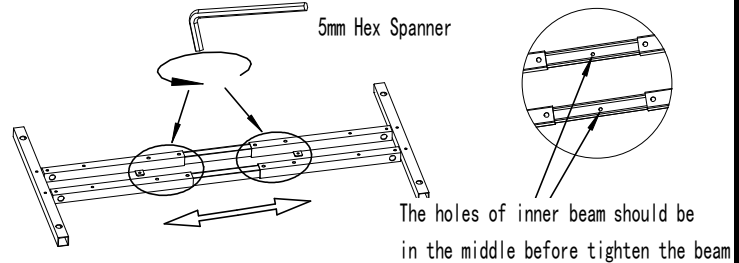
NO.	Name	Qty	NO.	Name	Qty
1	Support Beam	2	11	2.5mm Hex Spanner	1
2	Foot	2	12	5mm Hex Spanner	1
3	M6*25 Screw	8	13	Rubber Cushion	8
4	Gasket 6	8	14	ST4.8*19 Screw	14
5	Bracket	2			
6	M8*10 Screw	12			
7	Handle	1			
8	Handle Fix	1			
9	Lifting System	1set			
10	Driveshaft	1set			



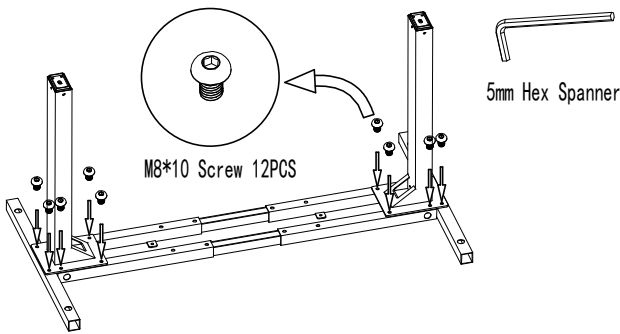
1 Lay down 2 beams and 2 brackets as shown



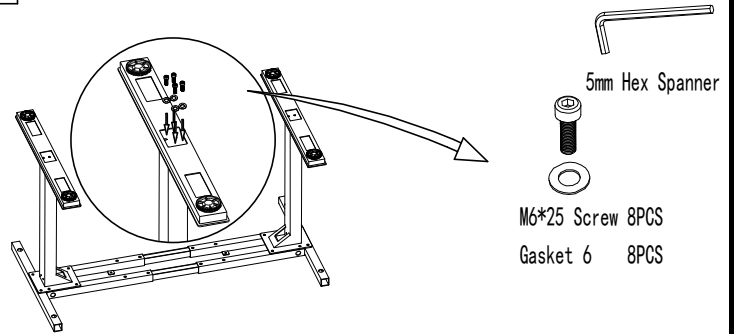
2 Loosen the 8 screws of beam using 5MM hex spanner, adjust the beam to proper position to fit the desktop we recommend leaving 10CM of the desktop width (on each end) and then tighten screws



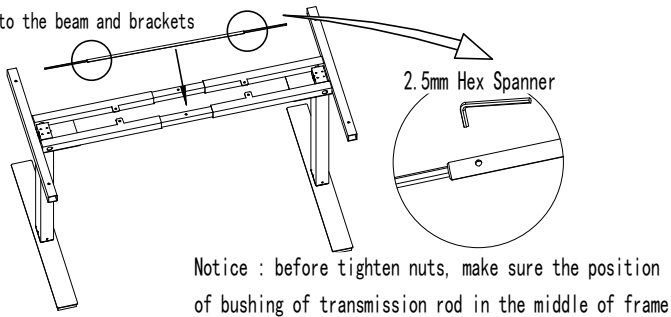
3 Fit both lifting legs to the beams and brackets using 12 of M8\*10 screws



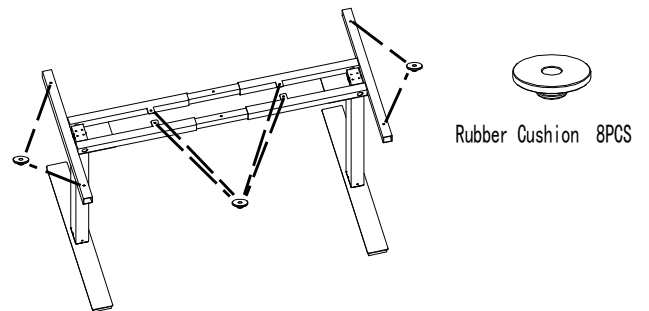
4 Attach 2 feet to leg using 8 of M6\*25 screws and 8 of gaskets.



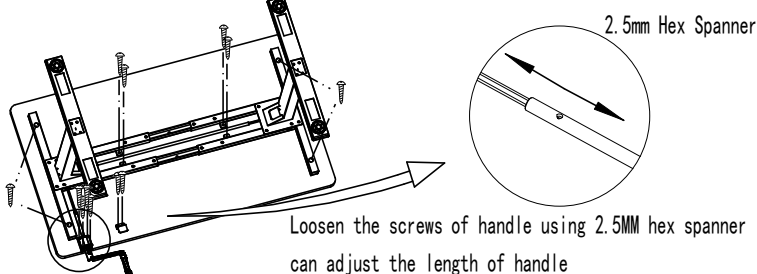
5 Overturn frame, loosen the screws of transmission rod (both end) using 2.5MM hex spanner, insert the 2 hex rod to 2 legs, tighten screws, fit 8 pcs rubber cushions to the beam and brackets



6 Fit 8 pcs rubber cushions to the beam and brackets



7 Fit the frame to table using 10 of ST4.8 self-tapping screws, insert the hex rod of handle to the gear box of leg, fit the handle to tabletop using 4 of ST4.8 self-tapping screws



8 Swing the handle clockwise, frame will move up, swing the handle anti clockwise, frame will move down

