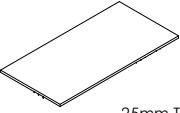
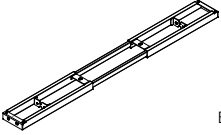
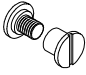
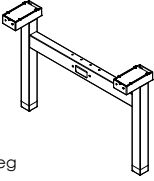
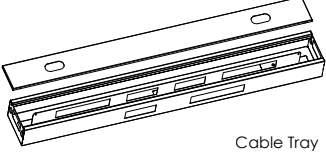
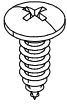
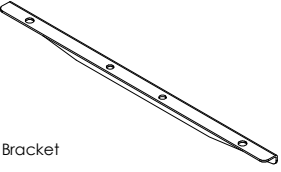
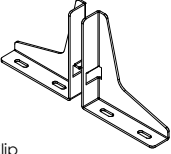

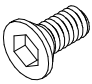



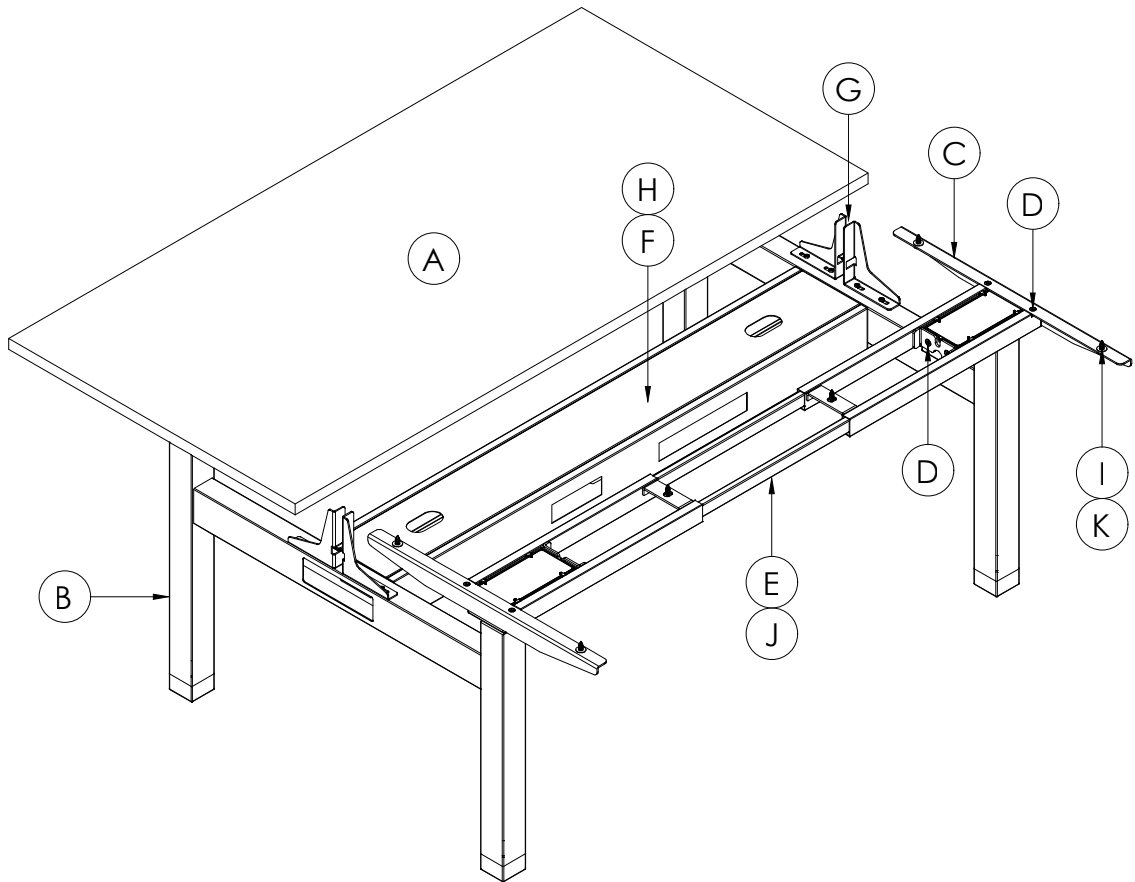
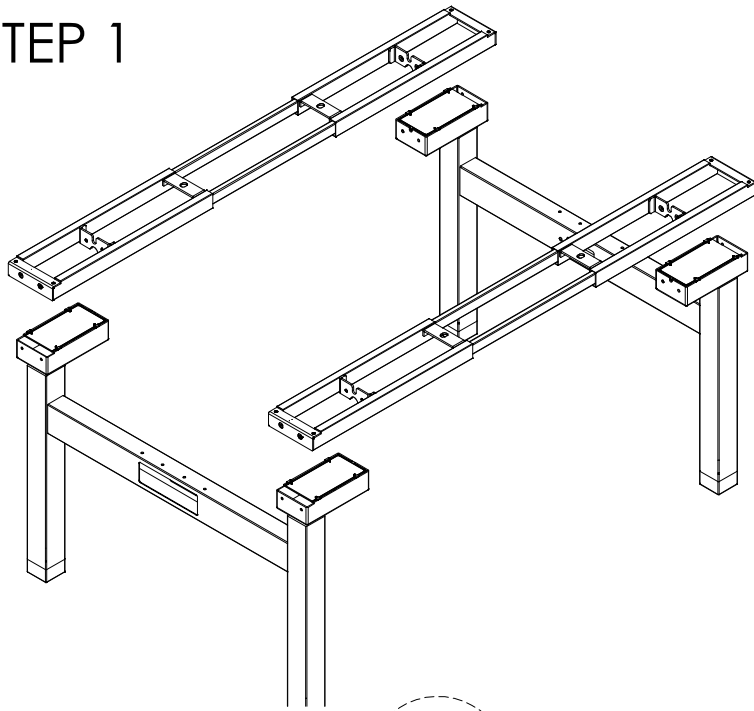


# PARTS LIST

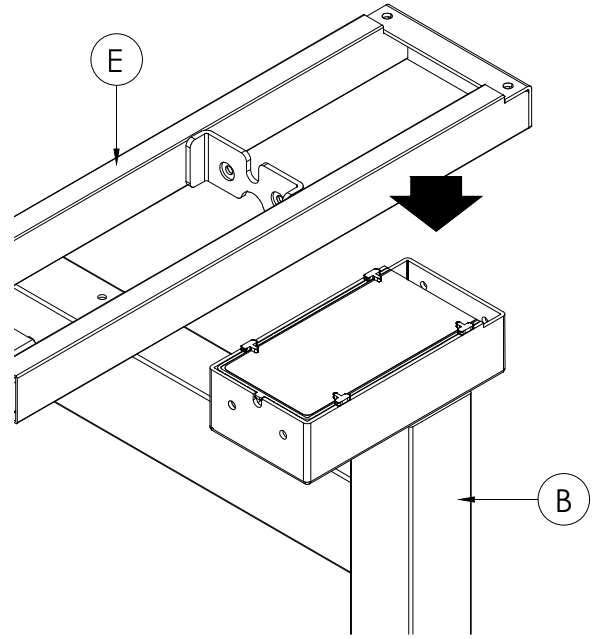
A	 25mm Table Top	x2	E	 Beam	x2	H	M6 x 16mm 	x4
B	 Left / Right leg	x2	F	 Cable Tray	x1	I	ST4.8 x 25mm  Wood Screw	x12
C	 Bracket	x4	G	 Screen Clip	x2	J	M6 x 16mm  Button Head Allen Screw	x8
D	M6 x 12mm  Countersunk Hex Head screw	x16	L	M6 x 10mm  Button Head Allen Screw	x16	K	Rubber Cushion  Plastic Pad 	x8



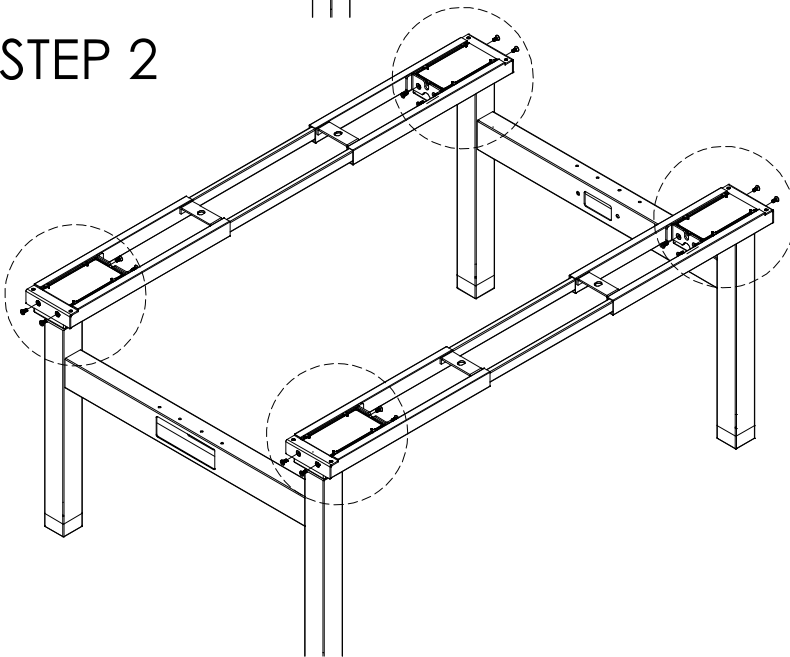
# STEP 1



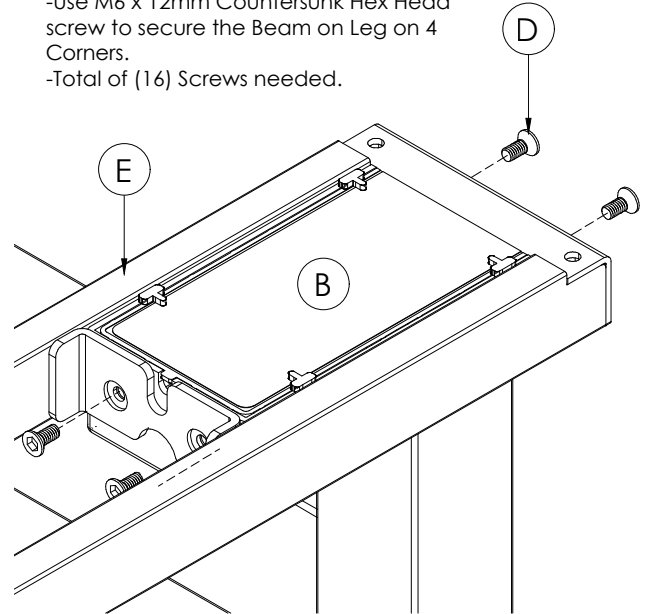
Align and Insert the Beam on the Leg



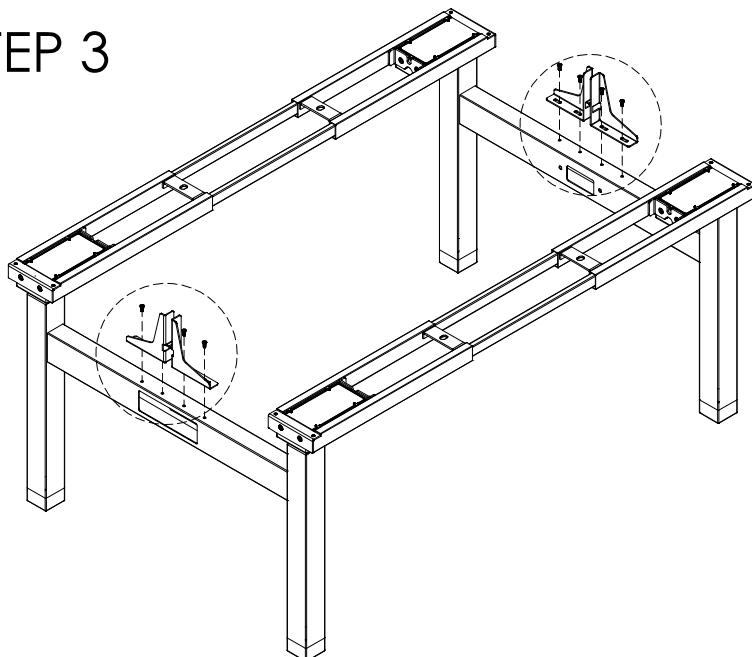
# STEP 2



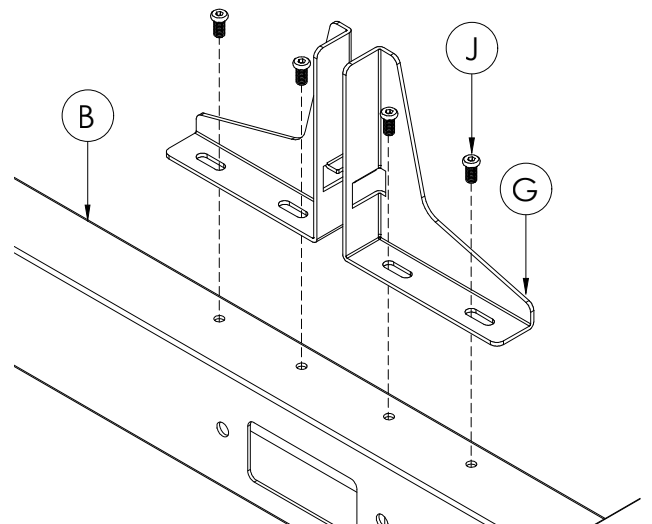
-Use M6 x 12mm Countersunk Hex Head screw to secure the Beam on Leg on 4 Corners.  
-Total of (16) Screws needed.



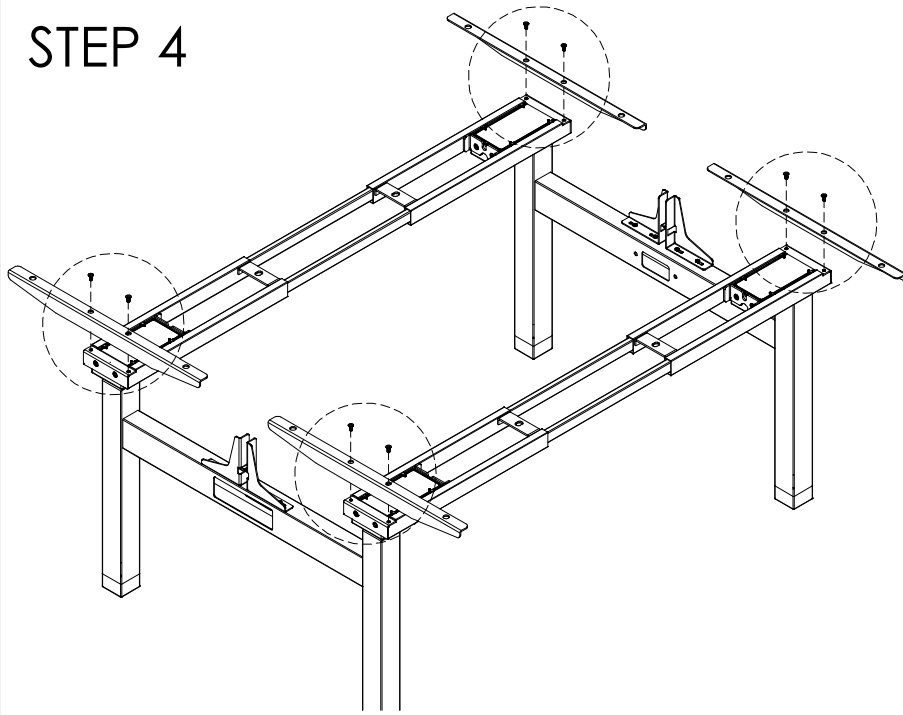
# STEP 3



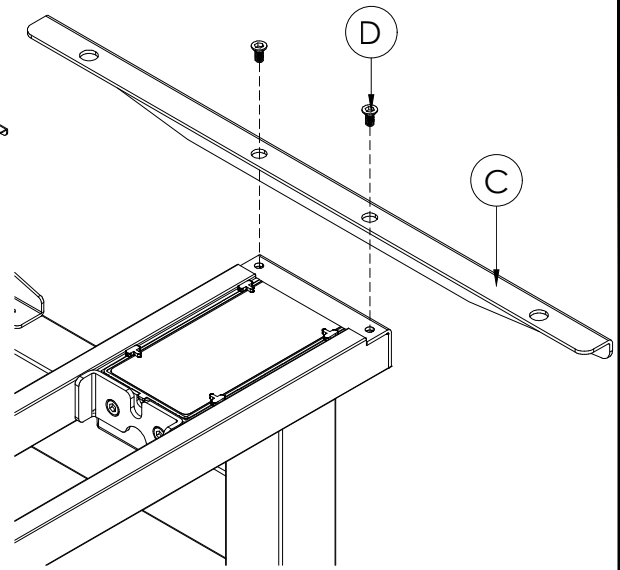
-Placed the Screen Clip on the top of the Mid Part of the Leg and Secure with M6 x 16mm Button Head Allen Screw on Both ends.  
-Total of (8) Screws needed.



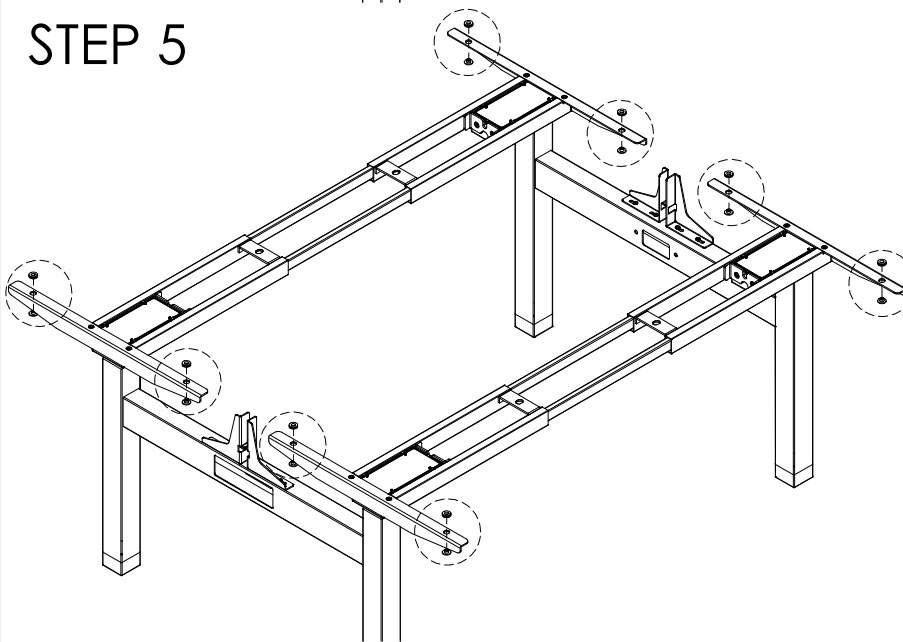
## STEP 4



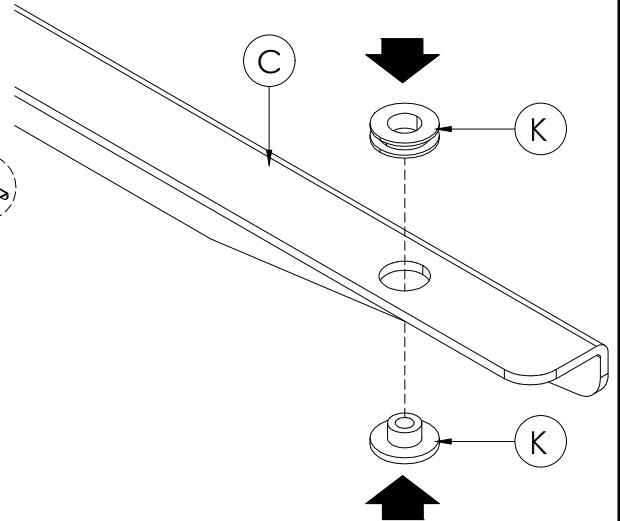
-Placed the Brackets on the top of the Beam as Shown, Then Secure in place with a M16 x12mm Countersunk Hex Head Screw on (4) corners.  
-Total of (8) Screw needed.



## STEP 5

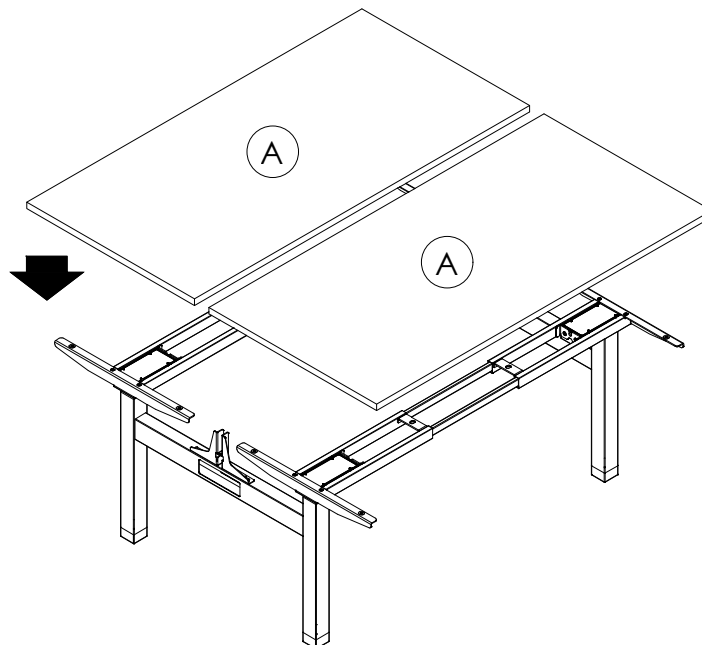


-Placed the Rubber Cushion on top along with the Plastic Pad underneath, on (4) Brackets.  
-Total of (8) Set needed.

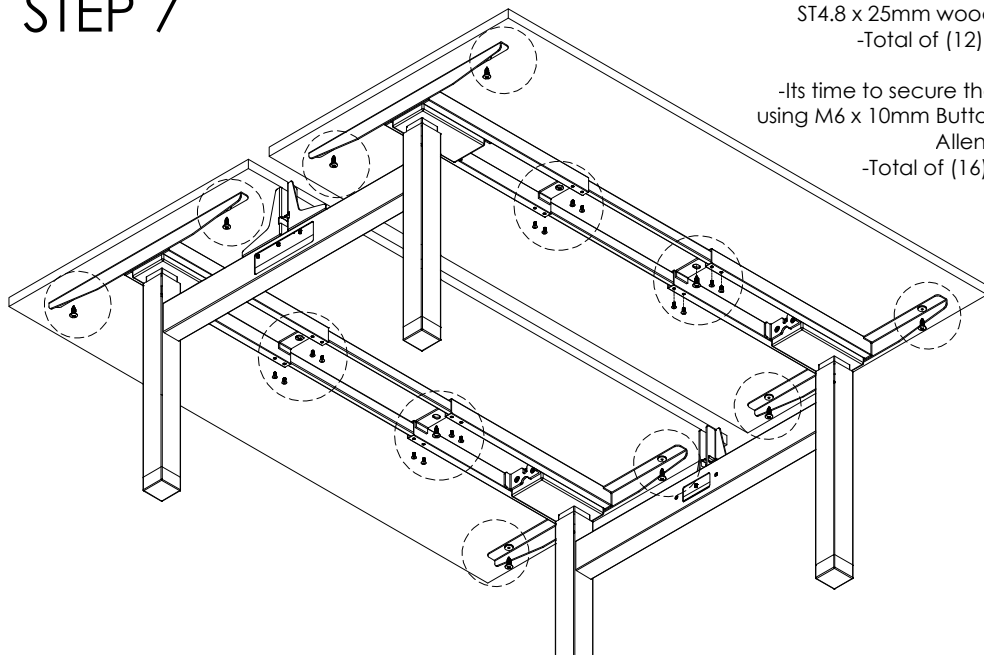


## STEP 6

-Align the Frame with the Table Top holes underneath  
-Total of (2) Top needed.

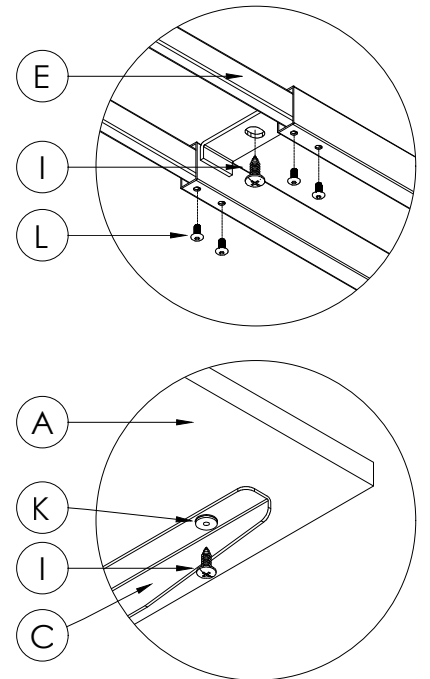


# STEP 7

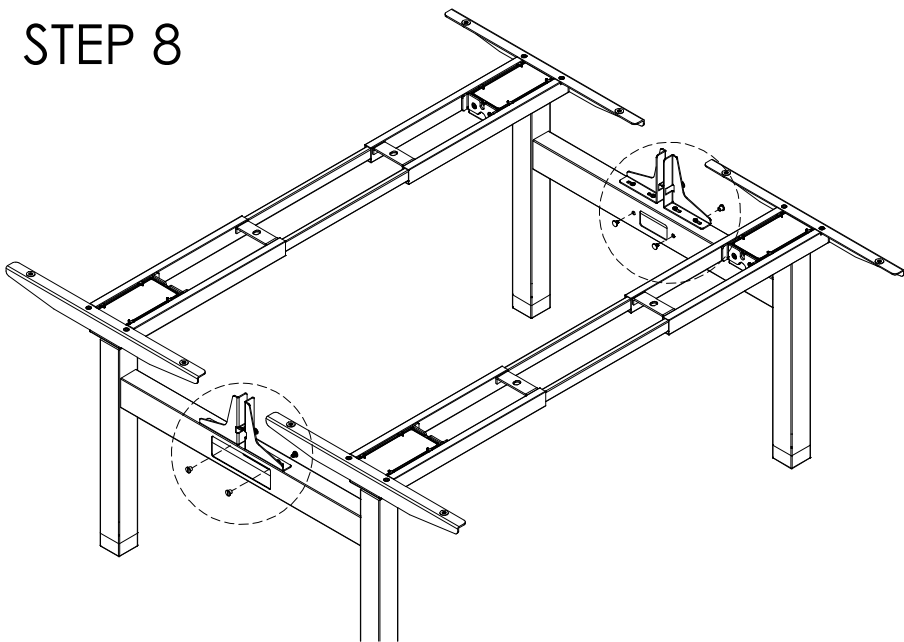


-Secure the Table Tops with ST4.8 x 25mm wood screw  
-Total of (12) screws.

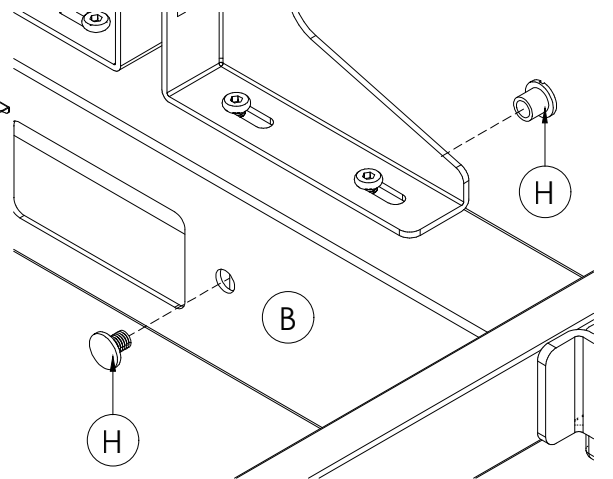
-Its time to secure the Beam using M6 x 10mm Button head Allen Screws  
-Total of (16) screws



# STEP 8

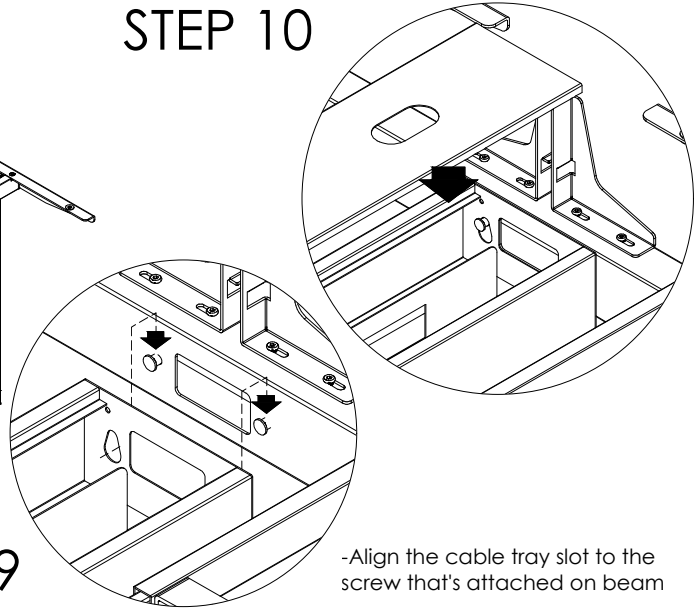
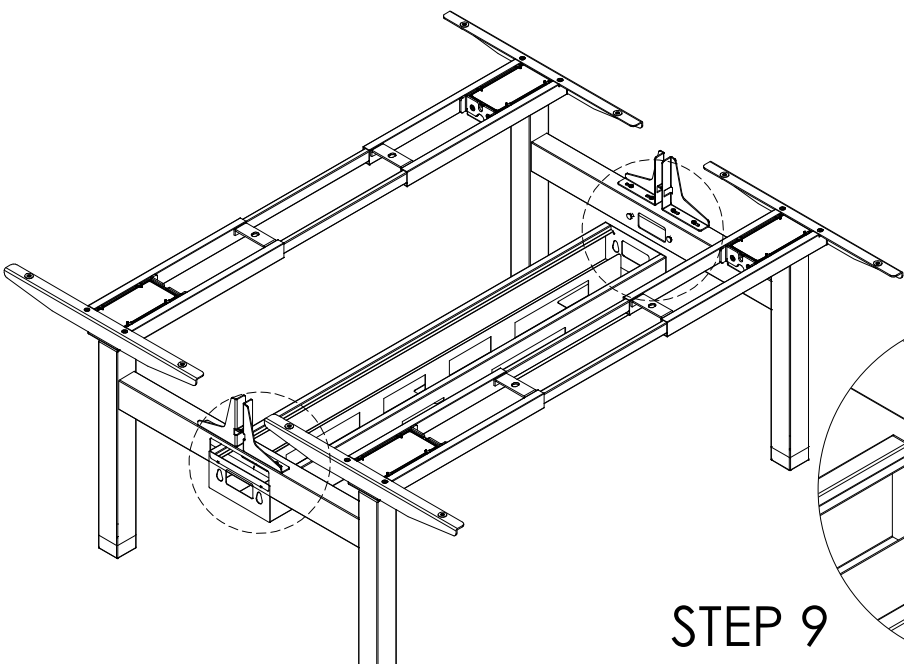


-Placed the screw meant for tear drop shape slot at both end of the Cable tray.  
-total of (4) sets needed.  
-Table Top not shown



-Placed the Cable tray cover back on

# STEP 10



-Align the cable tray slot to the screw that's attached on beam

# STEP 9