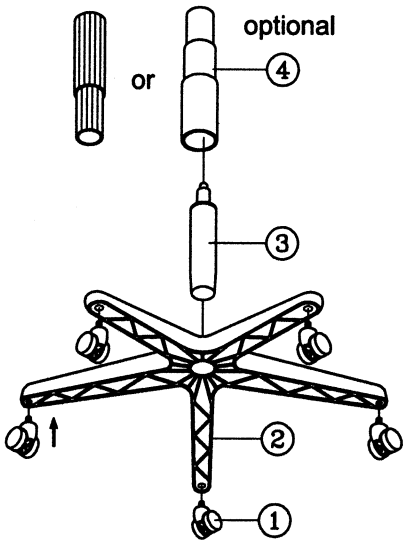


ASSEMBLY INSTRUCTION

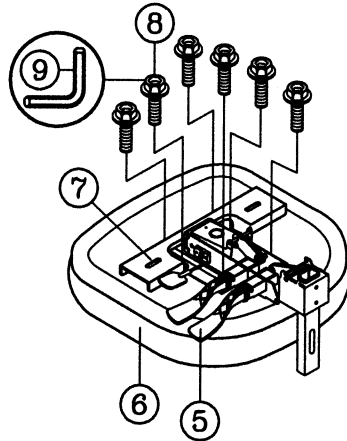
PART LIST

KEY QTY DESCRIPTION	KEY QTY DESCRIPTION	KEY QTY DESCRIPTION
1 5 Caster	7 1 Support Bar	13 2 Arm Width Adj. Knob + Washers
2 1 Base	8 6 Mechanism Screw	14 1 Backrest
3 1 Seat Post	9 1 Allen Wrench	15 1 Mechanism Plastic Bellow
4 1 Seat Post Cover (optional)	10 2 Arm Pad	16 1 Backrest Height Adj. Knob+Washer
5 1 Seat	11 4 Arm Screw	
6 1 Mechanism	12 2 Arm Plate	

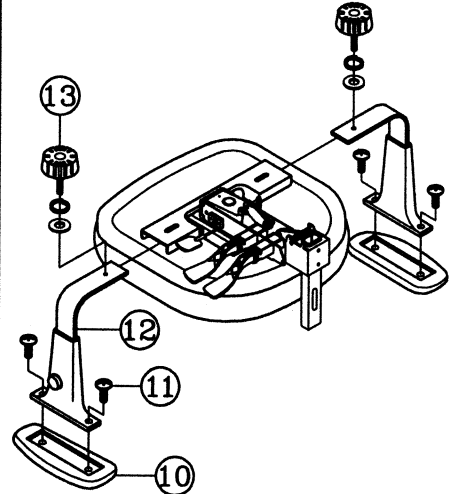
STEP 1.



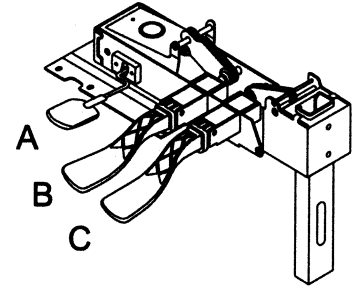
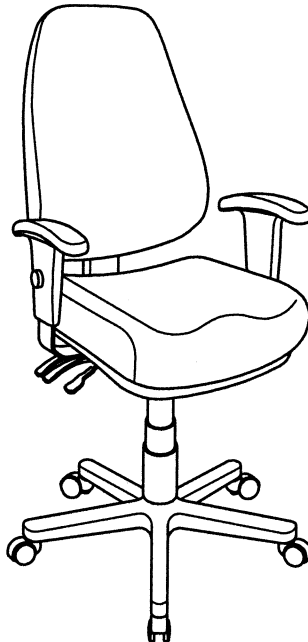
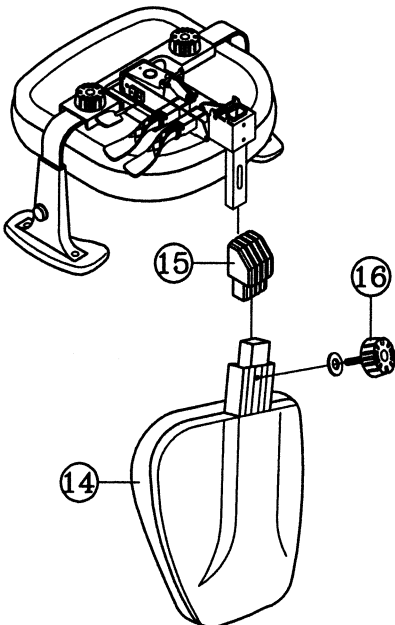
STEP 2.



STEP 3.



STEP 4.



MECHANISM INSTRUCTIONS

- A** Pneumatic seat height adjustment
- B** Seat angle adjustment :
Seat angle adjusts independently with a single lever.
- C** Backrest angle adjustment :
Back angle adjusts independently with a single lever.

ATTENTION

1. THIS ASSEMBLY INSTRUCTION IS ONLY FOR ASSEMBLING THE CHAIR. THE CHAIR DRAWING MAY BE DIFFERENT FROM CHAIR APPEARANCE.
2. SOME SCREWS MAY PREASSEMBLED , ASSEMBLERS CAN IGNORE THE STEP.
3. REMOVE ALL ITEMS FROM THE CARTON. VERIFY ALL PIECES BEFORE ASSEMBLY.

PREVENTIVE MAINTENANCE AND WARNING!

- IF ANY PARTS ARE MISSING, BROKEN, DAMAGED OR WORN, STOP USE OF THE PRODUCT UNTIL REPAIRS ARE MADE USING FACTORY AUTHORIZED PARTS.
- DISPOSE OF PACKAGING PROPERLY.
- FAILURE TO FOLLOW THESE WARNINGS COULD RESULT IN SERIOUS INJURY.
- EVERY SIX MONTHS, PLEASE MAKE SURE ALL BOLTS, SCREWS AND KNOBS ARE FULLY TIGHTENED TO ENSURE STABILITY.