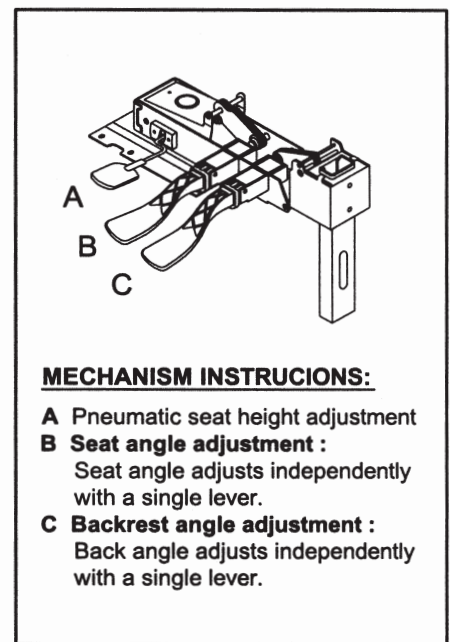
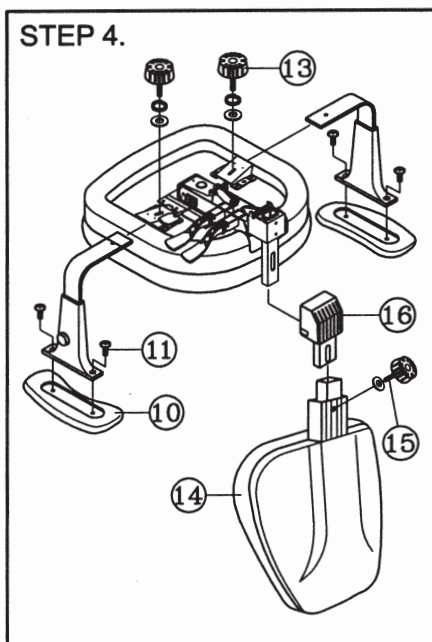
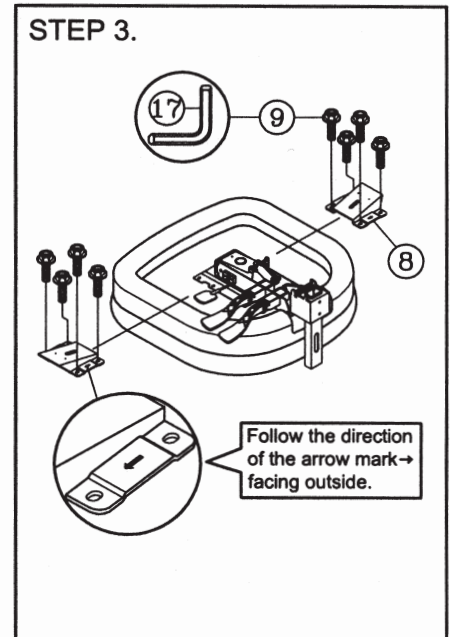
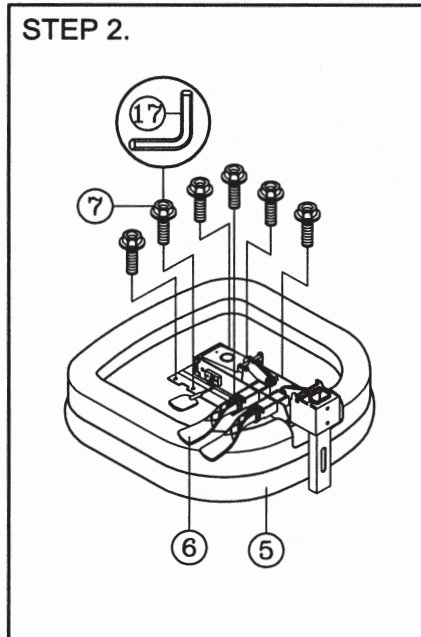
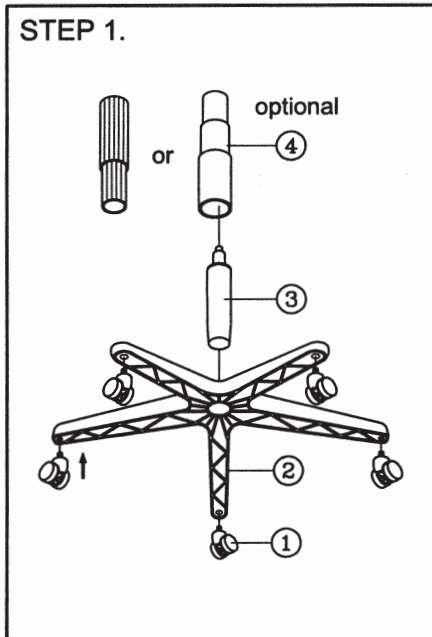


ENDEAVOUR 101

ENDEAVOUR101

KEY QTY DESCRIPTION			KEY QTY DESCRIPTION			KEY QTY DESCRIPTION		
1	5	Caster	8	2	Arm Bracket	14	1	Backrest
2	1	Base	9	8	Arm Bracket Screw	15	1	Backrest Height Adj. Knob + Washer
3	1	Seat Post	10	2	Arm Pad	16	1	Mechanism Plastic Bellow
4	1	Seat Post Cover(optional)	11	4	Arm Screw	17	1	Allen Wrench
5	1	Seat	12	2	Arm Plate			
6	1	Mechanism	13	2	Arm Width Adjustment Knob + Washers			
7	6	Machanism Screw						



ATTENTION

1. THIS ASSEMBLY INSTRUCTION IS ONLY FOR ASSEMBLING THE CHAIR. THE CHAIR DRAWING MAY BE DIFFERENT FROM CHAIR APPEARANCE.
2. SOME SCREWS MAY PREASSEMBLED , ASSEMBLERS CAN IGNORE THE STEP.
3. REMOVE ALL ITEMS FROM THE CARTON. VERIFY ALL PIECES BEFORE ASSEMBLY.

PREVENTIVE MAINTENANCE AND WARNING!

- IF ANY PARTS ARE MISSING, BROKEN, DAMAGED OR WORN, STOP USE OF THE PRODUCT UNTIL REPAIRS ARE MADE USING FACTORY AUTHORIZED PARTS.
- DISPOSE OF PACKAGING PROPERLY.
- FAILURE TO FOLLOW THESE WARNINGS COULD RESULT IN SERIOUS INJURY.
- EVERY SIX MONTHS, PLEASE MAKE SURE ALL BOLTS, SCREWS AND KNOBS ARE FULLY TIGHTENED TO ENSURE STABILITY.