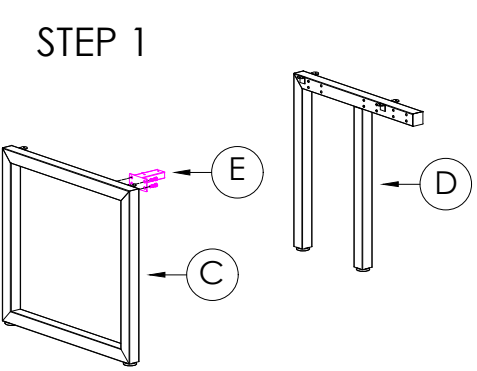
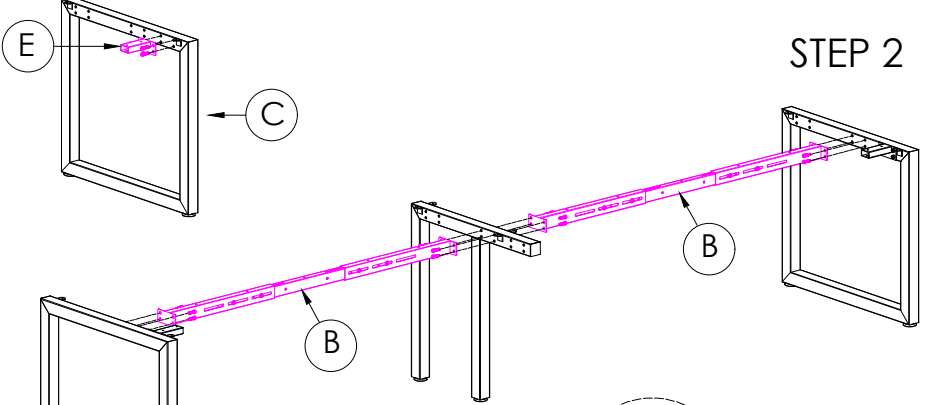


A	VARIOUS SIZES DESKTOP	x2	C	2x LP-LE75	x1	D	ST-INSS (700mm)	x1
B	ST-AB1218 ADJUSTABLE BEAM	x2	F	3mm SPACER	x2	G	M6 x 20mm BUTTON HEAD ALLEN BOLT	x8
E	100mm x 50mm BRACKET	x2						
H	70mm CHIPBOARD SCREW	x10						
I	20mm CHIPBOARD SCREW	x8						

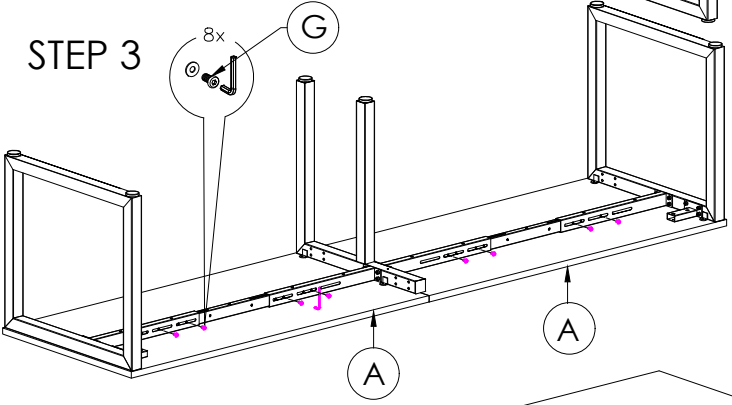
STEP 1



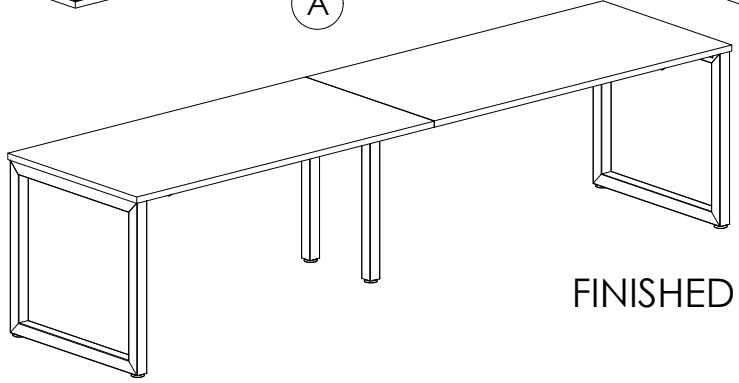
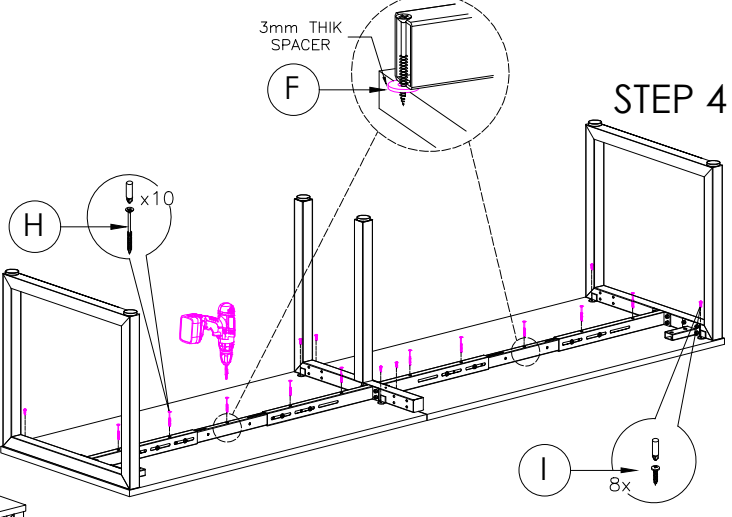
STEP 2



STEP 3



STEP 4



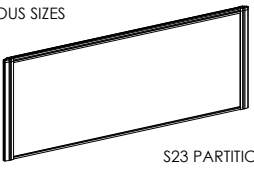


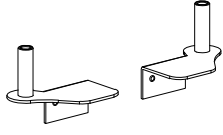
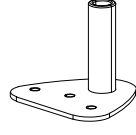
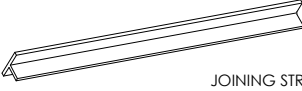

FINISHED



CAUTION:  
HEAVY

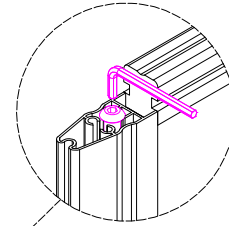
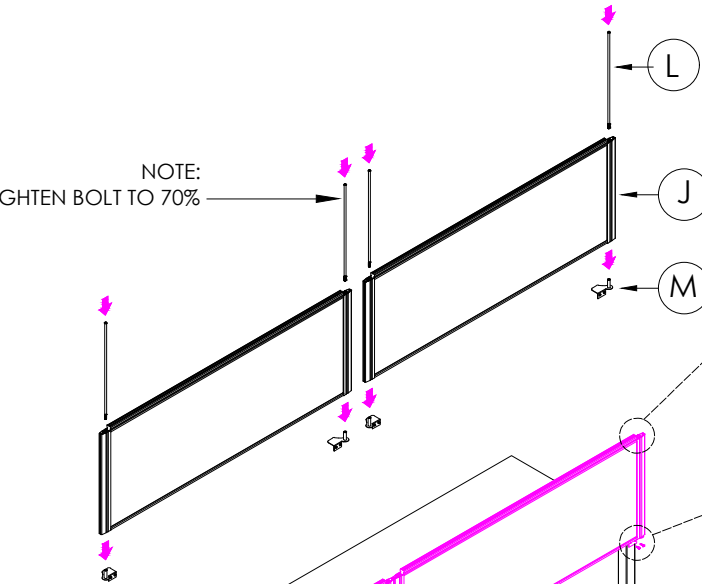


2 PERSON HEAVY  
ASSEMBLY

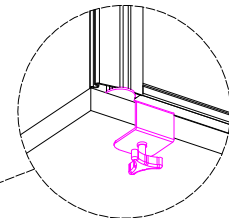
J	VARIOUS SIZES  S23 PARTITION	x2	L	 ROD PACKED INSIDE THE PARTITION	x6
K	GLASS / FABRIC  SCREEN	x1	M	S23-BR520SM  BRACKETS	x2
			N	 SL-BR520TM	x2
O	 JOINING STRIP	x1	P	20mm  CHIPBOARD SCREW	x14
			NOTE: CAN USE S23-BR520TM OR S23-BR520CL BRACKETS		

### STEP 1

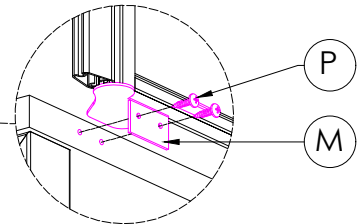
NOTE:  
HAND TIGHTEN BOLT TO 70%



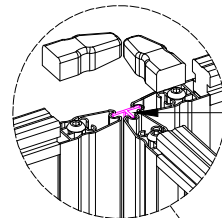
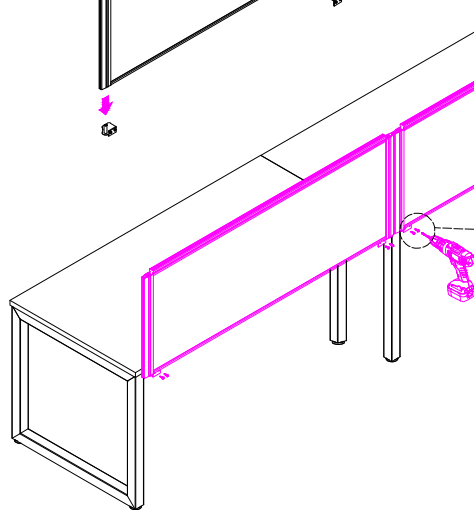
NOTE:  
TIGHTEN ROD 100%  
AFTER BRACKET FITTED  
TO DESK.



BRACKET OPTION  
S23-BR520CL



### STEP 2



PLASTIC JOIN CLOSE  
T-1x

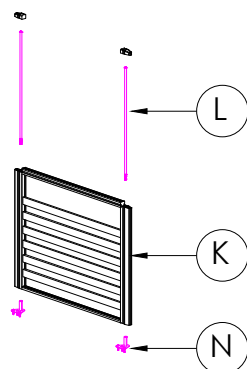
### STEP 5



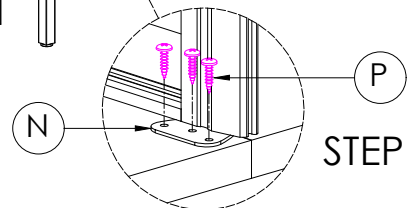
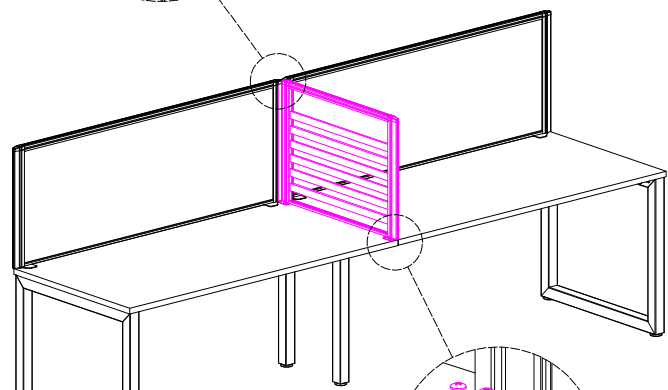
CAUTION:  
HEAVY



2 PERSON HEAVY  
ASSEMBLY



### STEP 3



### STEP 4

