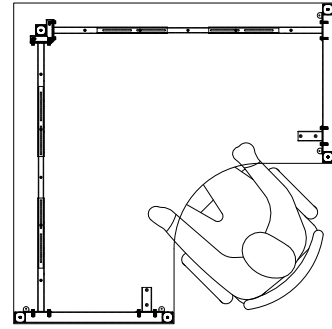
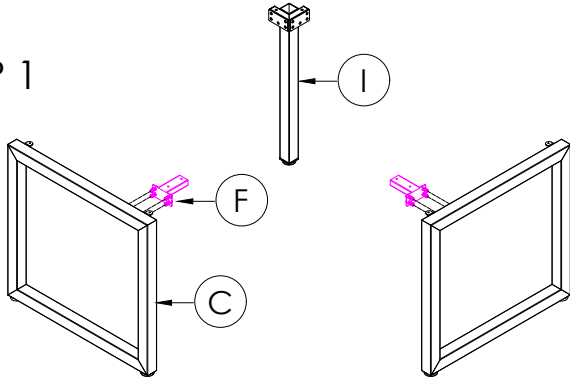
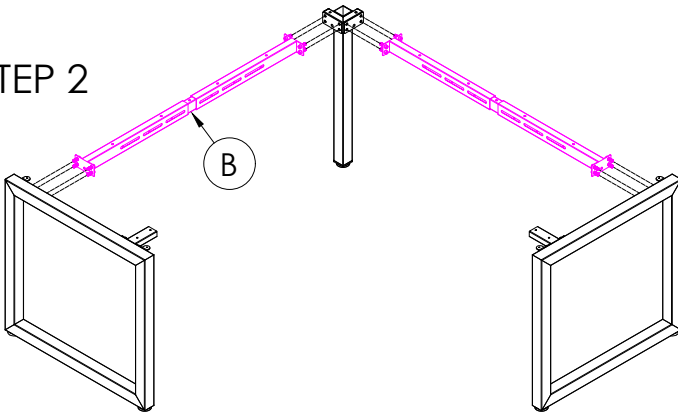


A	VARIOUS SIZES DESKTOP	x1	C	2x LP-LE75	x1	D	M6 x 20mm BUTTON HEAD ALLEN BOLT	x8
B	ST-AB1218 ADJUSTABLE BEAM	x2				E	70mm CHIPBOARD SCREW	x10
F	100mm x 50mm BRACKET	x2	G	3mm SPACER	x2	H	25mm CHIPBOARD SCREW	x4
I	ST-WSCL	x1						

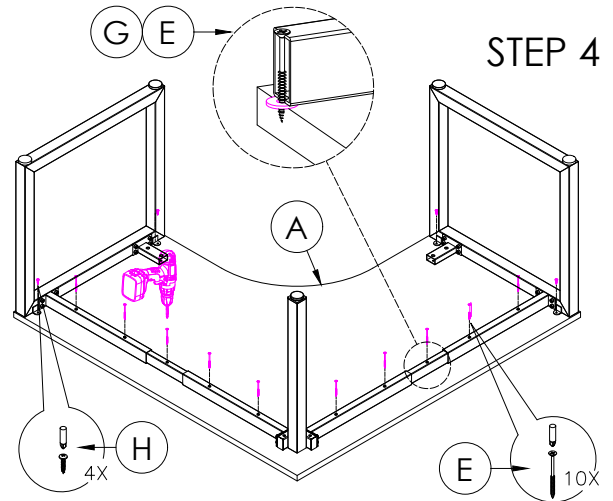
STEP 1



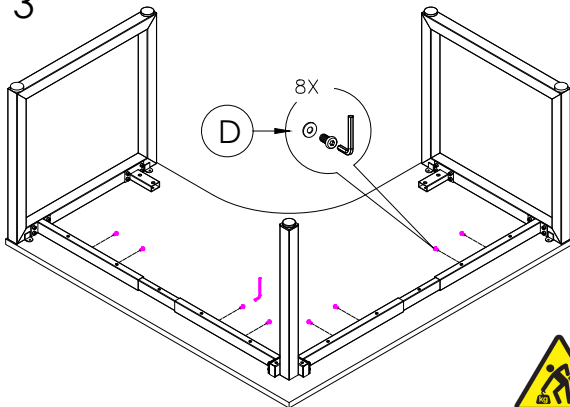
STEP 2



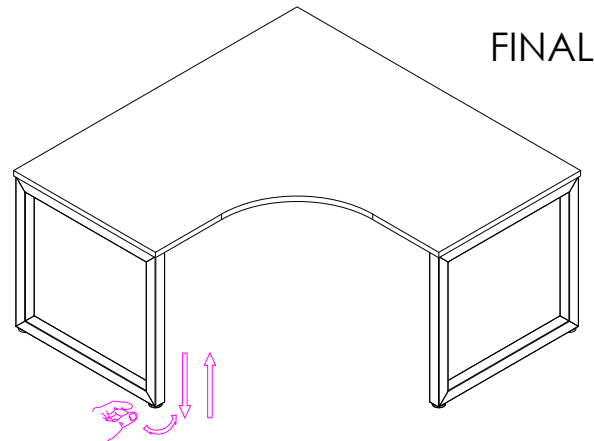
STEP 4



STEP 3



FINAL



CAUTION:  
HEAVY

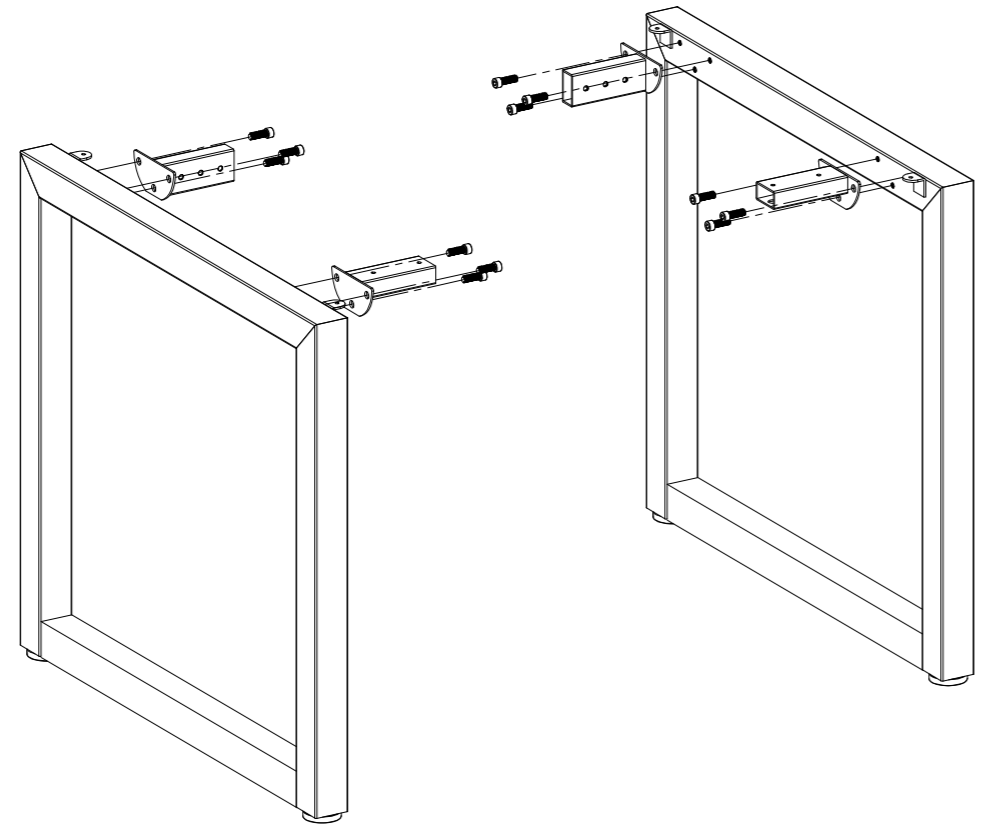


2 PERSON HEAVY  
ASSEMBLY

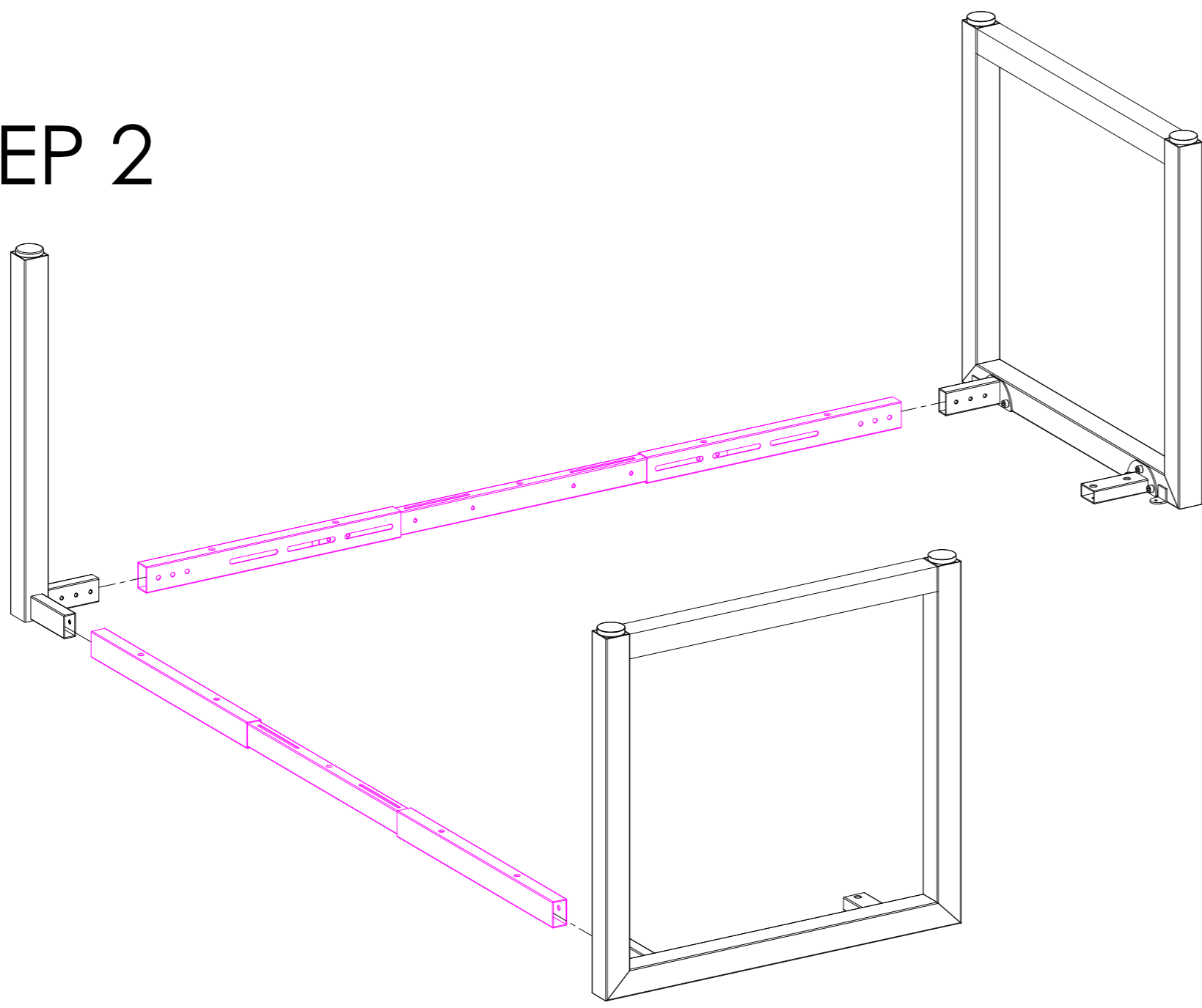


A		x1	B		x1	C		x2
D		x1				E		x16
F		x10	G		x4	H		x2

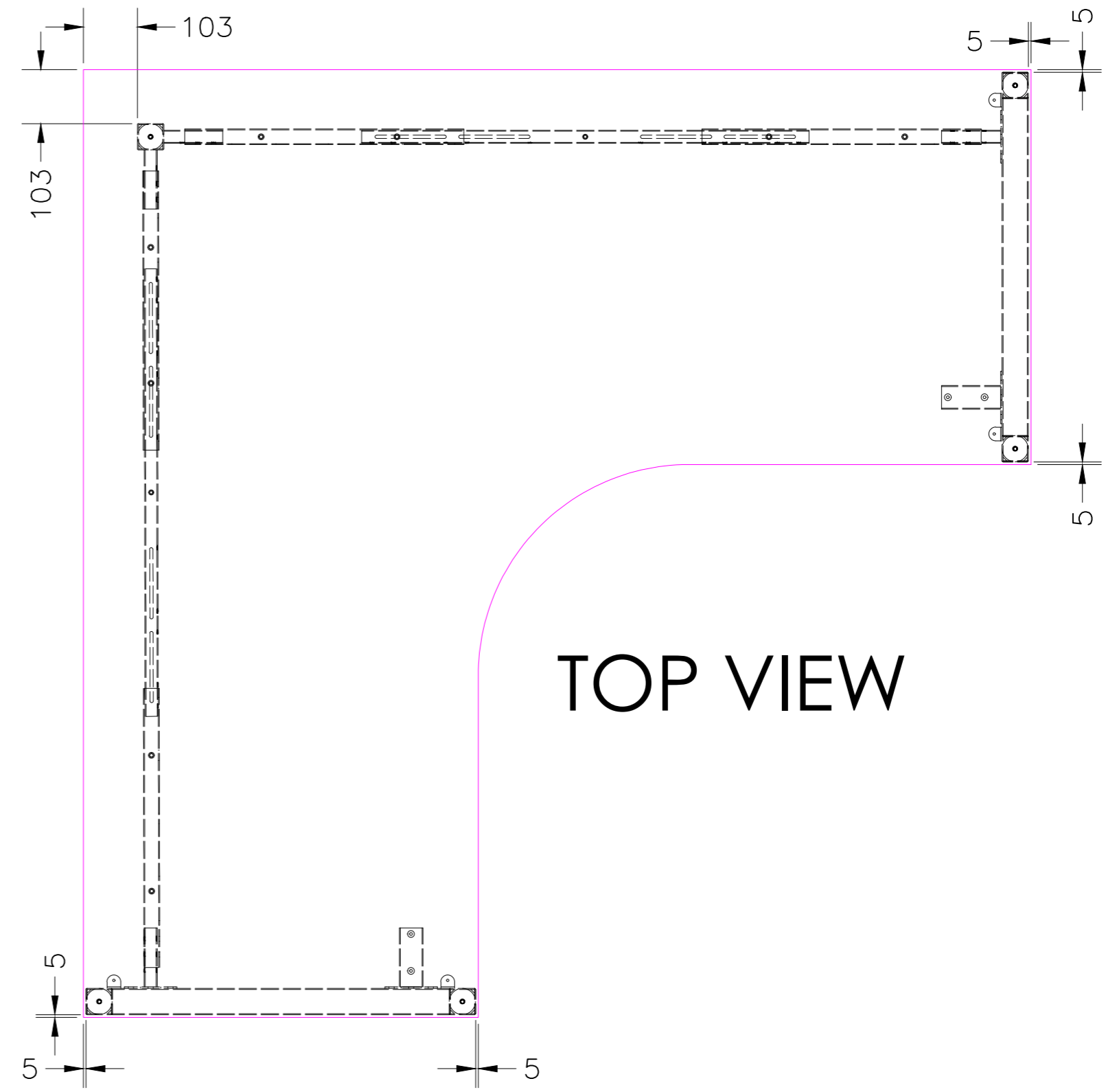
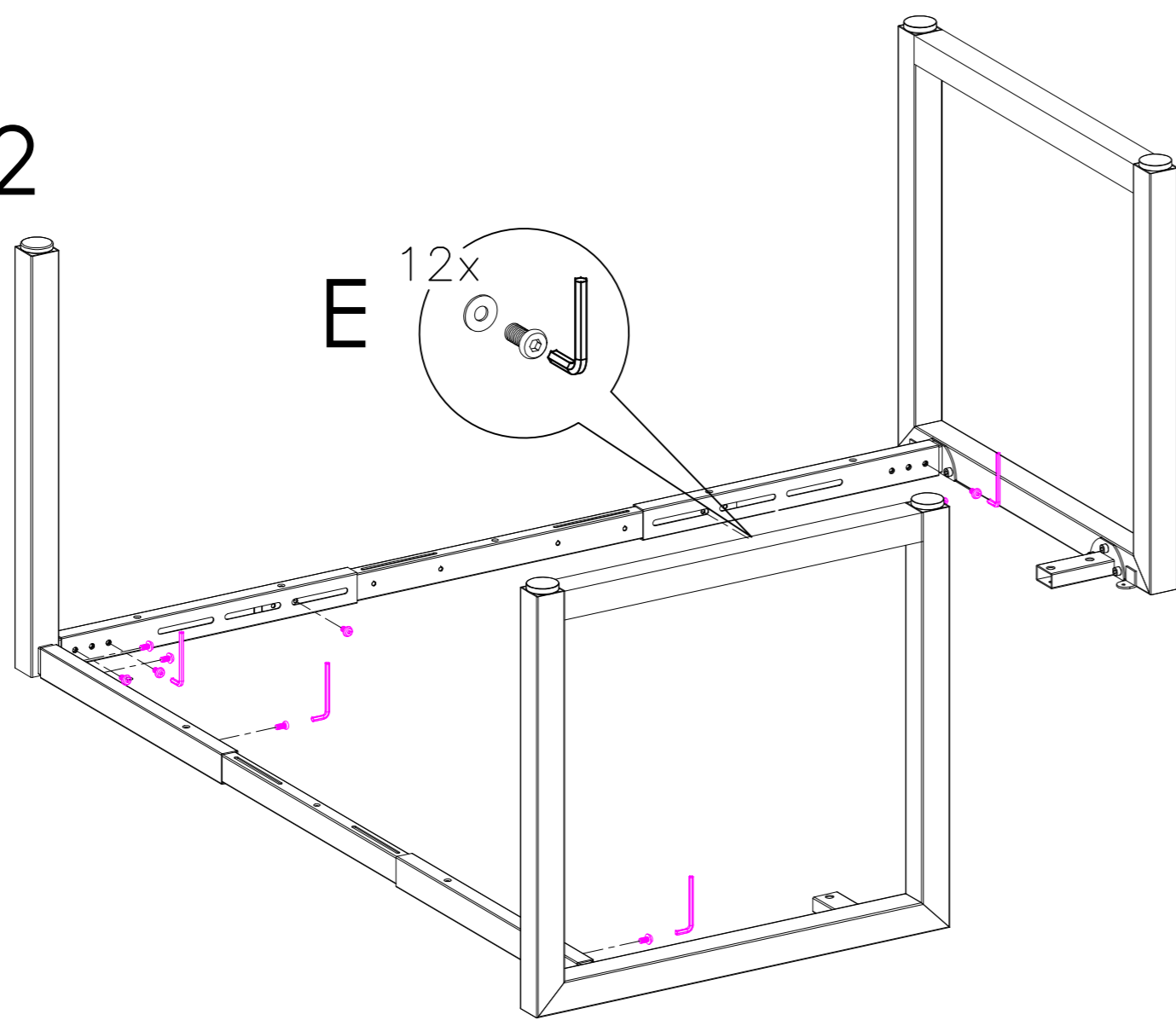
STEP 1



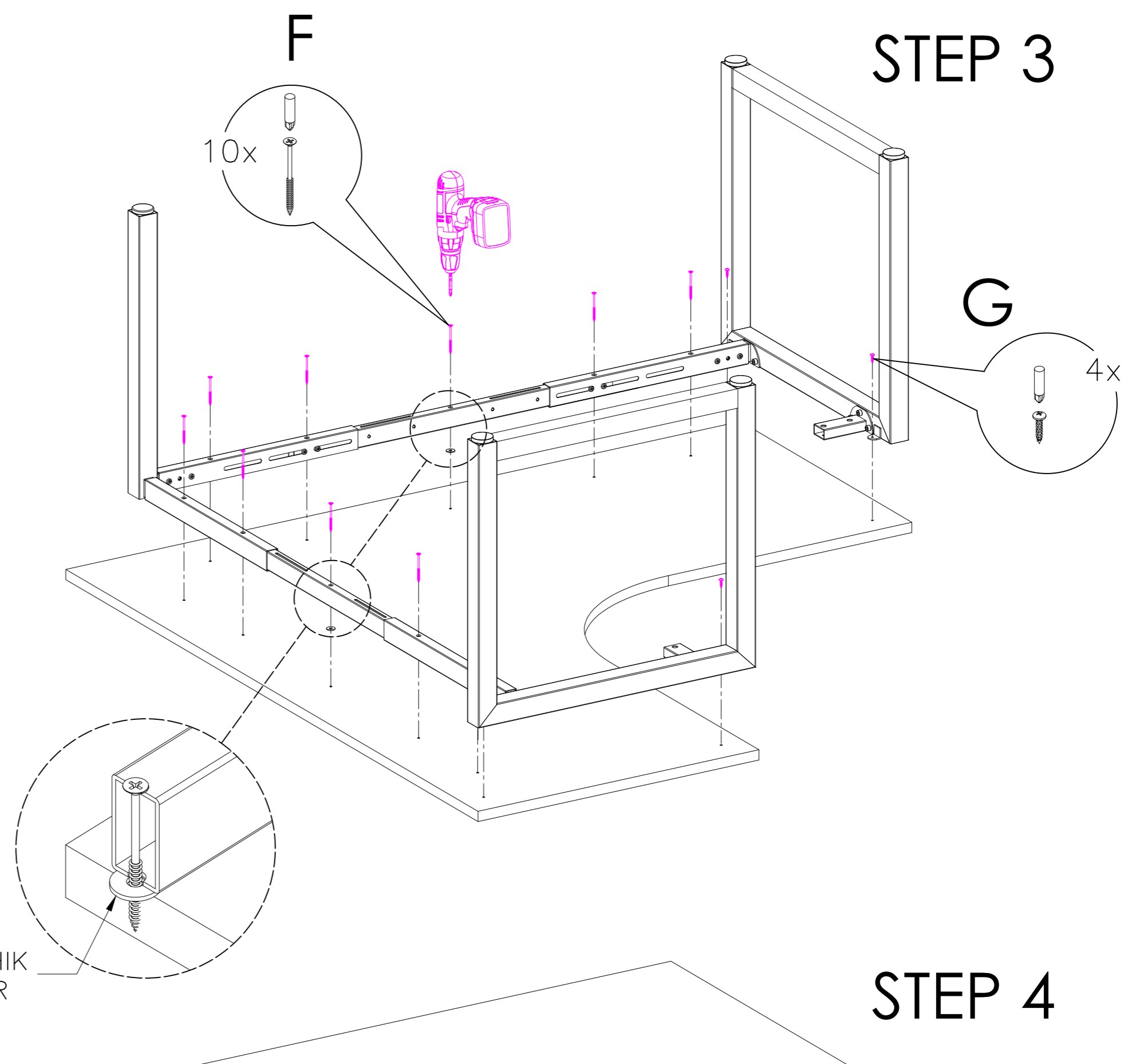
STEP 2



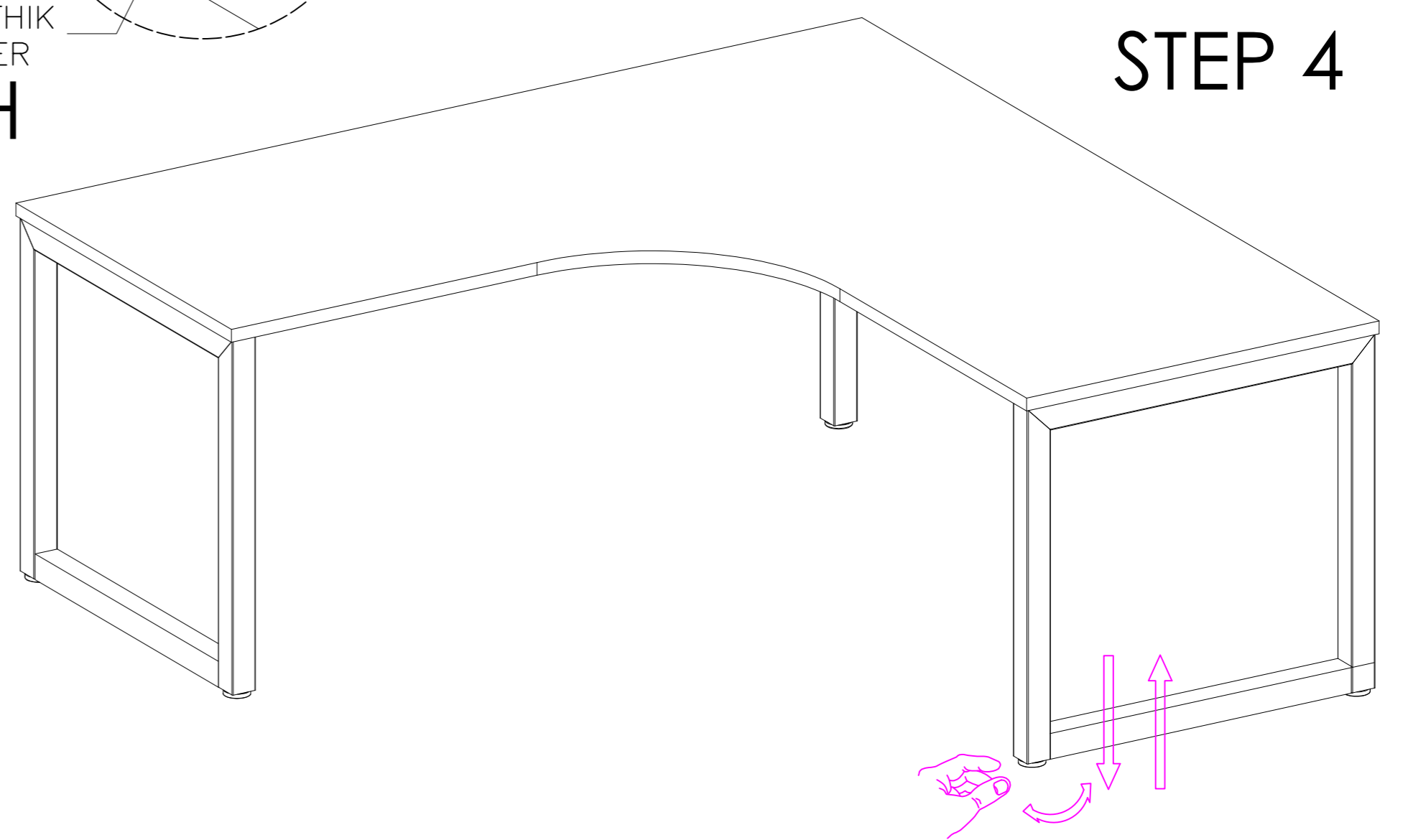
STEP 2



STEP 3



STEP 4



CAUTION:  
HEAVY



2 PERSON HEAVY  
ASSEMBLY