

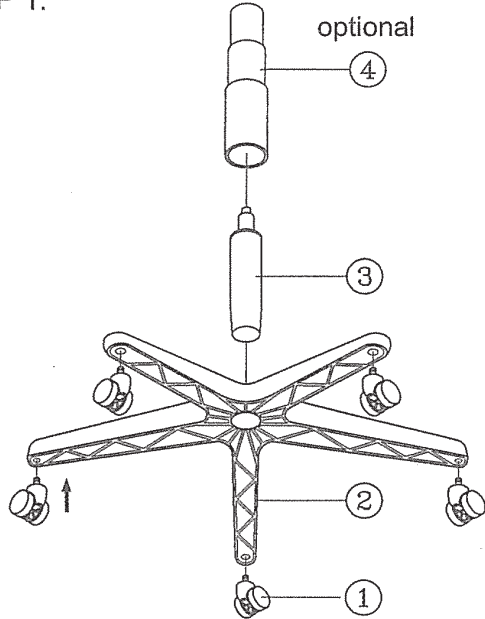
Stateline Mirae

Mirae

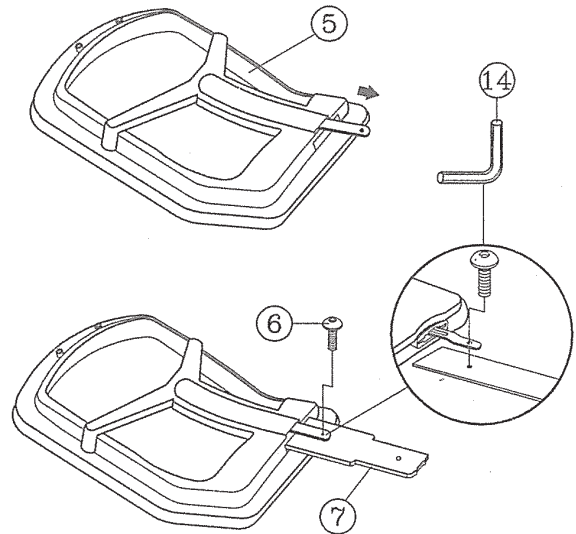
PART LIST

KEY QTY	DESCRIPTION	KEY QTY	DESCRIPTION	KEY QTY	DESCRIPTION	
1	5	Caster	6	1	Backrest Post	
2	1	Base	7	1	Backrest Post Screw	
3	1	Seat Post	8	1	Seat	
4	1	Seat Post Cover	9	1	Mechanism	
5	1	Backrest	10	6	Mechanism Screw	
				11	1	Backrest Post Bellow
				12	2	Backrest Post Bellow Screw
				13	1	Backrest Bolt+Washers
				14	1	Allen Wrench

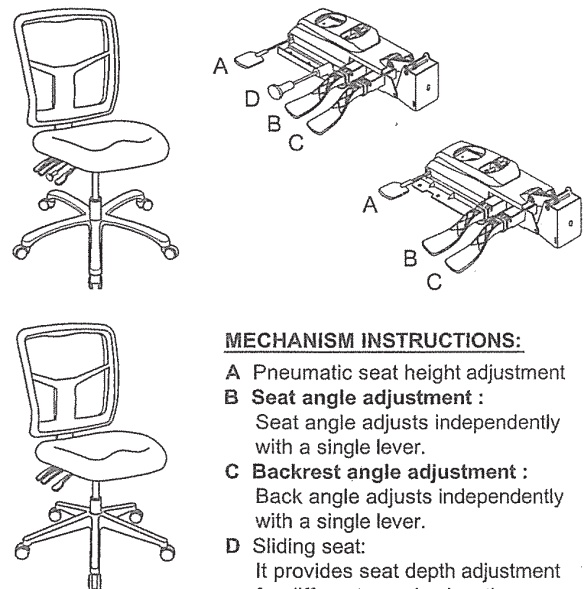
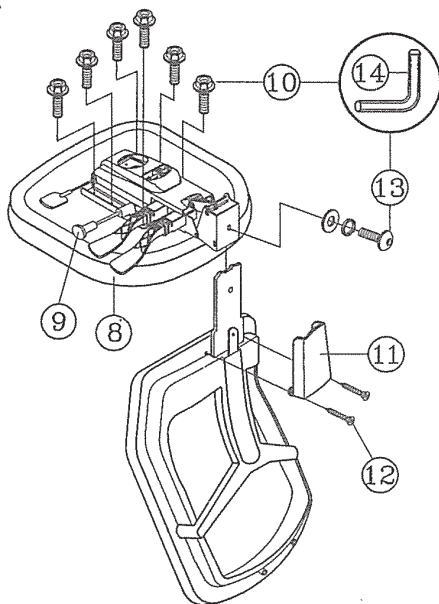
STEP 1.



STEP 2.



STEP 3.



MECHANISM INSTRUCTIONS:

- A** Pneumatic seat height adjustment
- B** Seat angle adjustment :
Seat angle adjusts independently with a single lever.
- C** Backrest angle adjustment :
Back angle adjusts independently with a single lever.
- D** Sliding seat:
It provides seat depth adjustment for different user leg lengths.

PREVENTIVE MAINTENANCE AND WARNING!

- USE THIS PRODUCT ONLY FOR SEATING ONE PERSON AT A TIME.
- DO NOT USE THIS CHAIR AS A STEP STOOL / LADDER.
- DO NOT SIT ON ANY PART OF THE CHAIR EXCEPT THE SEAT.
- DO NOT USE CHAIR ON UNEVEN FLOOR SURFACES.
- DO NOT USE CHAIR UNLESS ALL BOLTS, SCREWS AND KNOBS ARE TIGHTENED.
- EVERY SIX MONTHS, PLEASE MAKE SURE ALL BOLTS, SCREWS AND KNOBS ARE FULLY TIGHTENED TO ENSURE STABILITY.
- IF ANY PARTS ARE MISSING, BROKEN, DAMAGED OR WORN, STOP USE OF THE PRODUCT UNTIL REPAIRS ARE MADE USING FACTORY AUTHORIZED PARTS.
- DISPOSE OF PACKAGING PROPERLY. PLASTIC BAG IS NOT A TOY. DO NOT USE PLASTIC BAG AS HEAD COVERING - IT MAY CAUSE SUFFOCATION.
- FAILURE TO FOLLOW THESE WARNINGS COULD RESULT IN SERIOUS INJURY.
- NOTE: SOME SCREWS MAY BE PREASSEMBLED. IF PREASSEMBLED, IGNORE ASSEMBLY INSTRUCTIONS.

MESH MIRAE