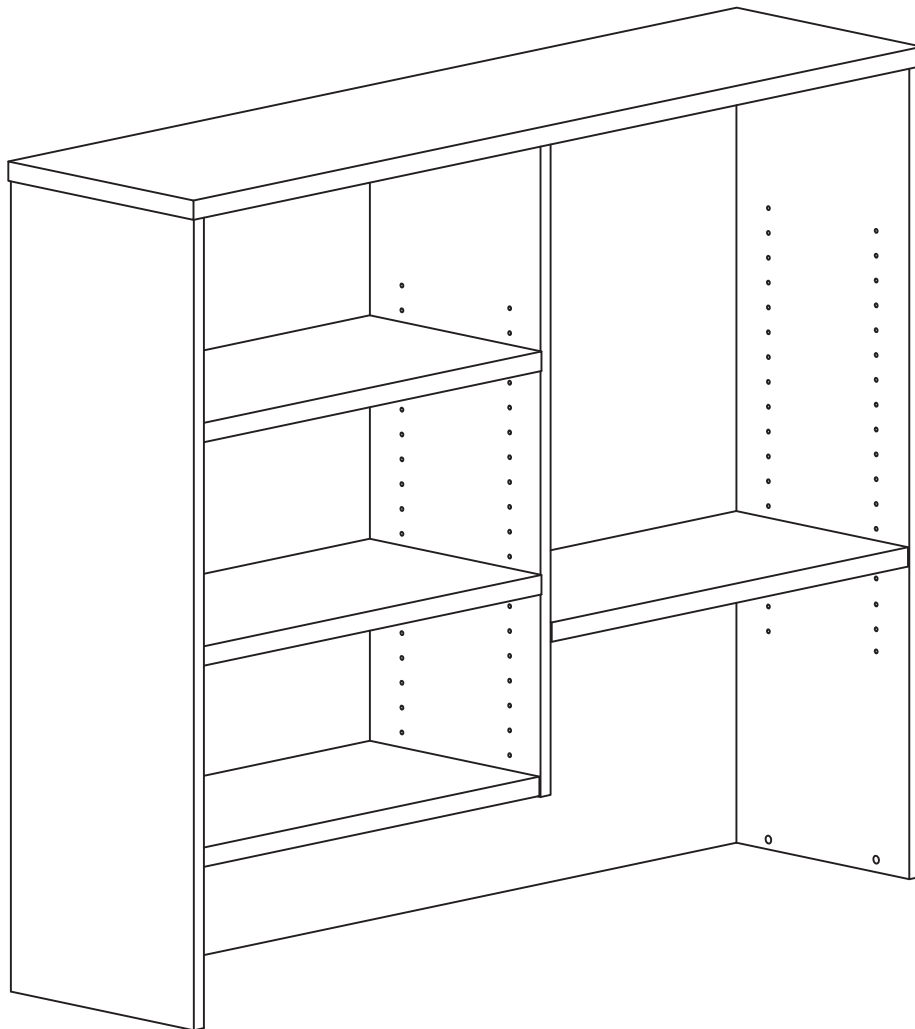
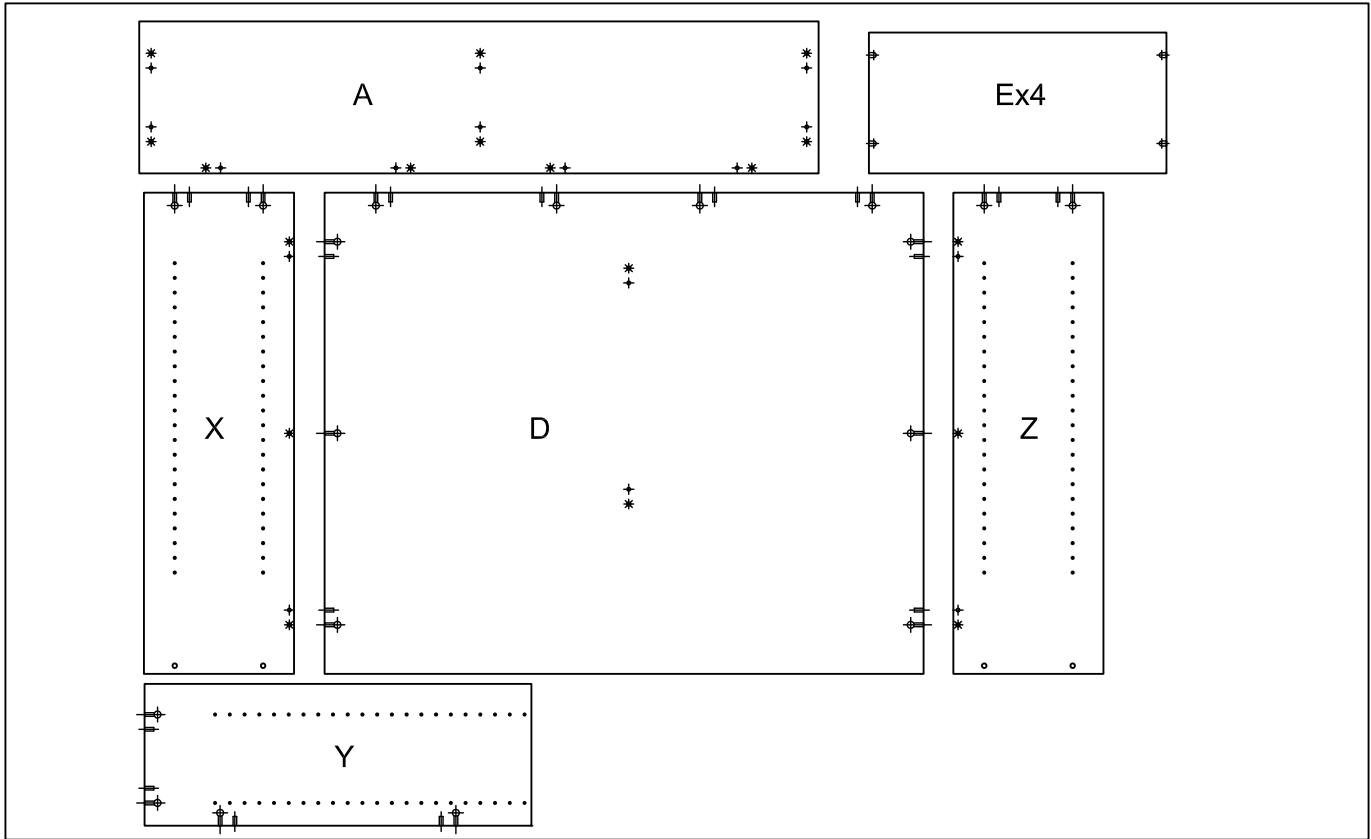


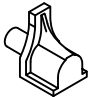

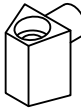



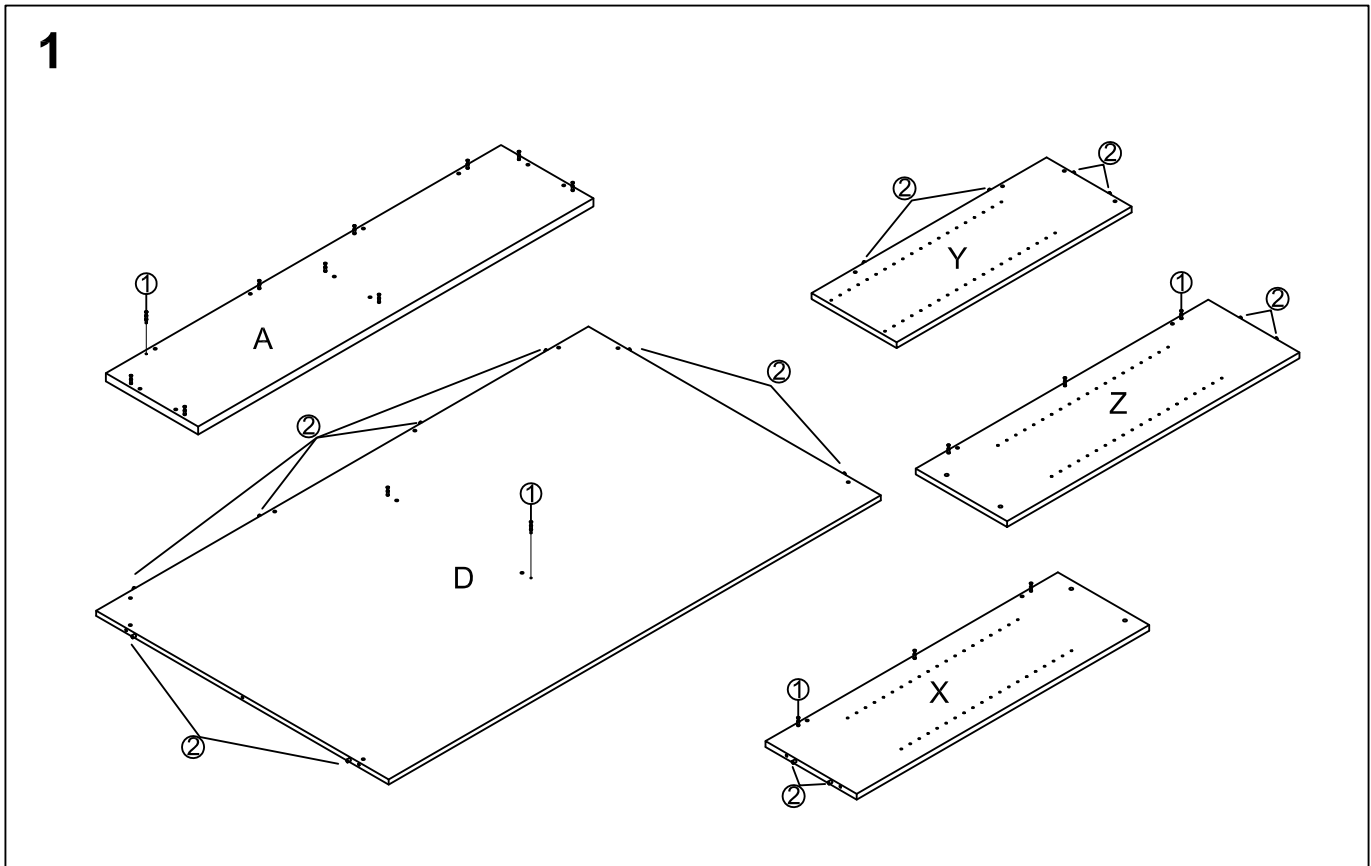
READY **2GO**

**ASSEMBLY INSTRUCTIONS**  
**OFFICE Hutches**  
**R2O-HU12**

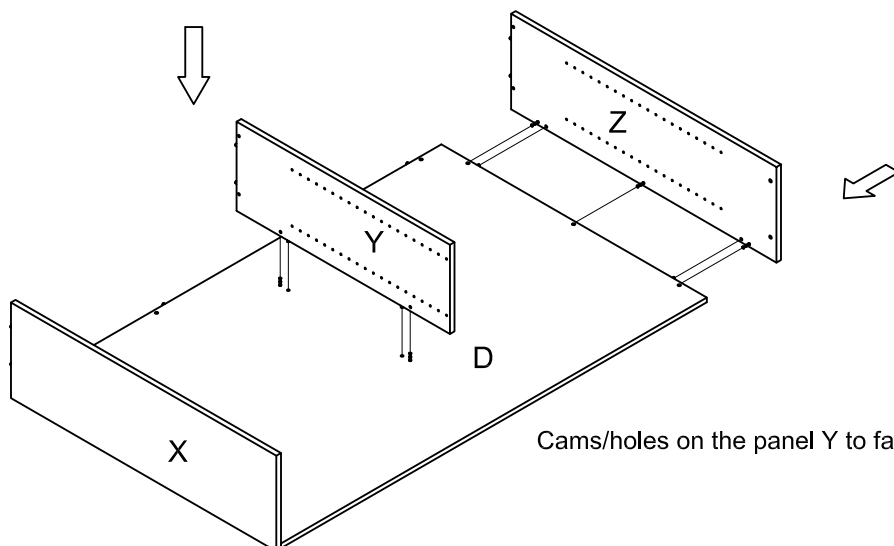




pin  ① 18PCS	6×35  ② 16PCS	Dowel 8×30  ③ 16PCS	Bolt Minifix  ④ 18PCS	Cam Cover  ⑤ 4PCS	Table top connector  ⑥ 4PCS	Screw 5×32
--	---	---	---	---	---	------------

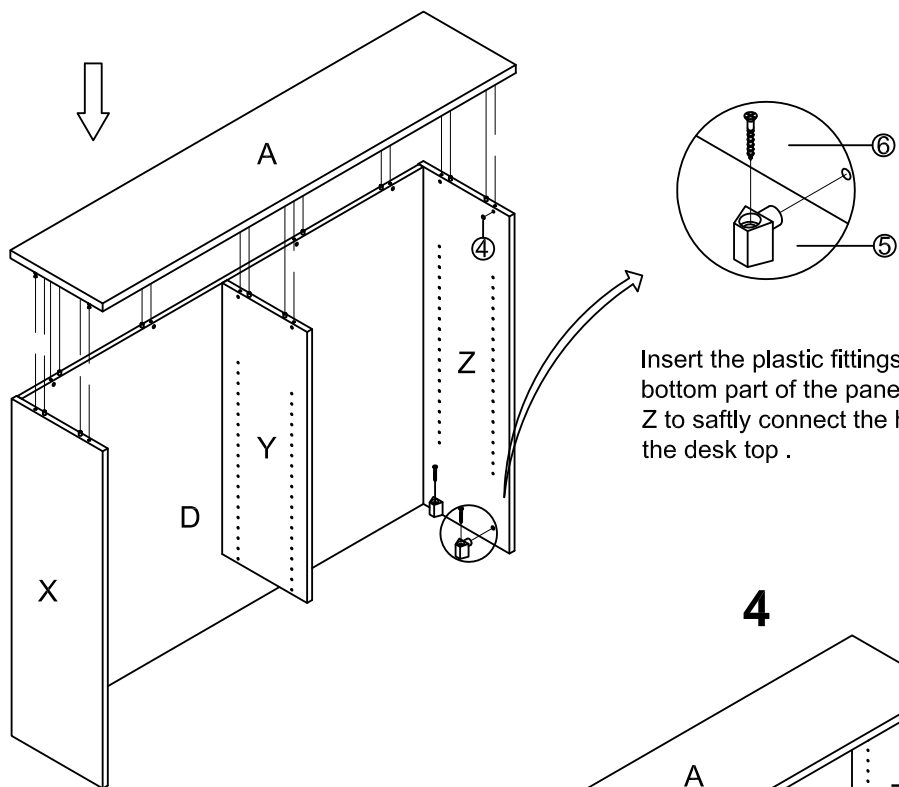


**2**



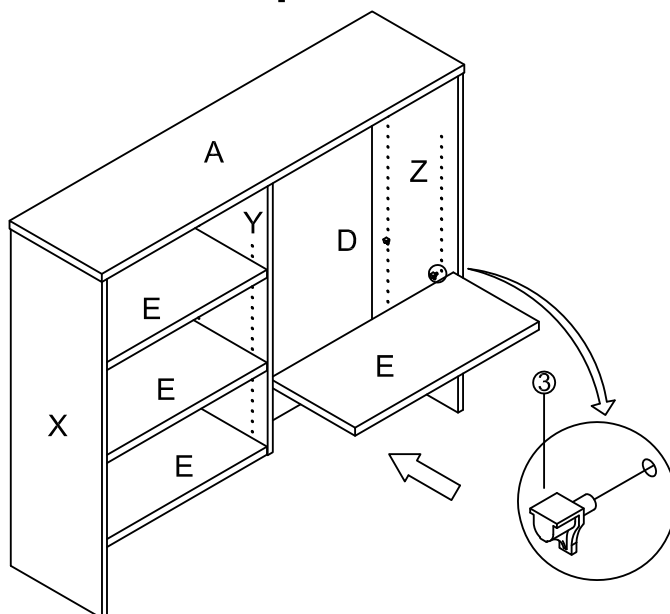
Cams/holes on the panel Y to face to panel X.

**3**



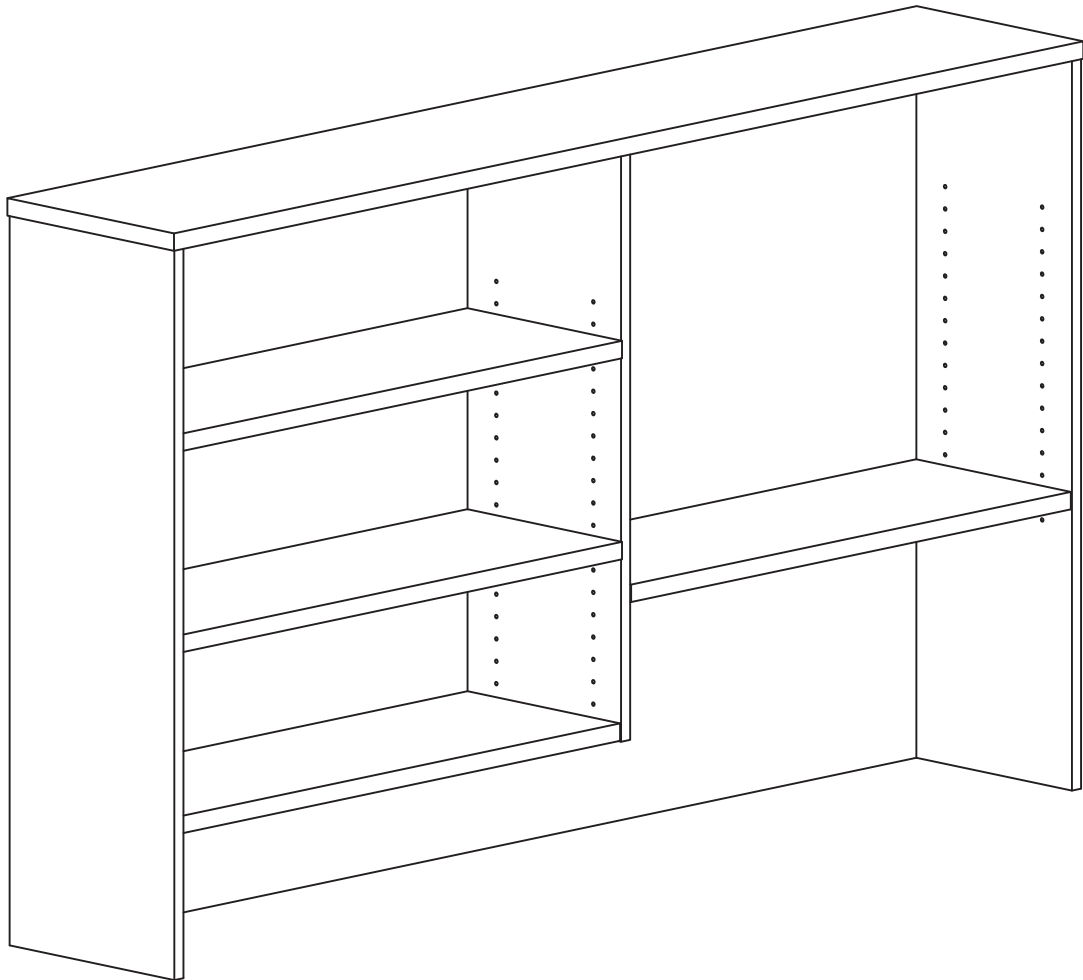
Insert the plastic fittings in the bottom part of the panels X and Z to safely connect the hutch to the desk top .

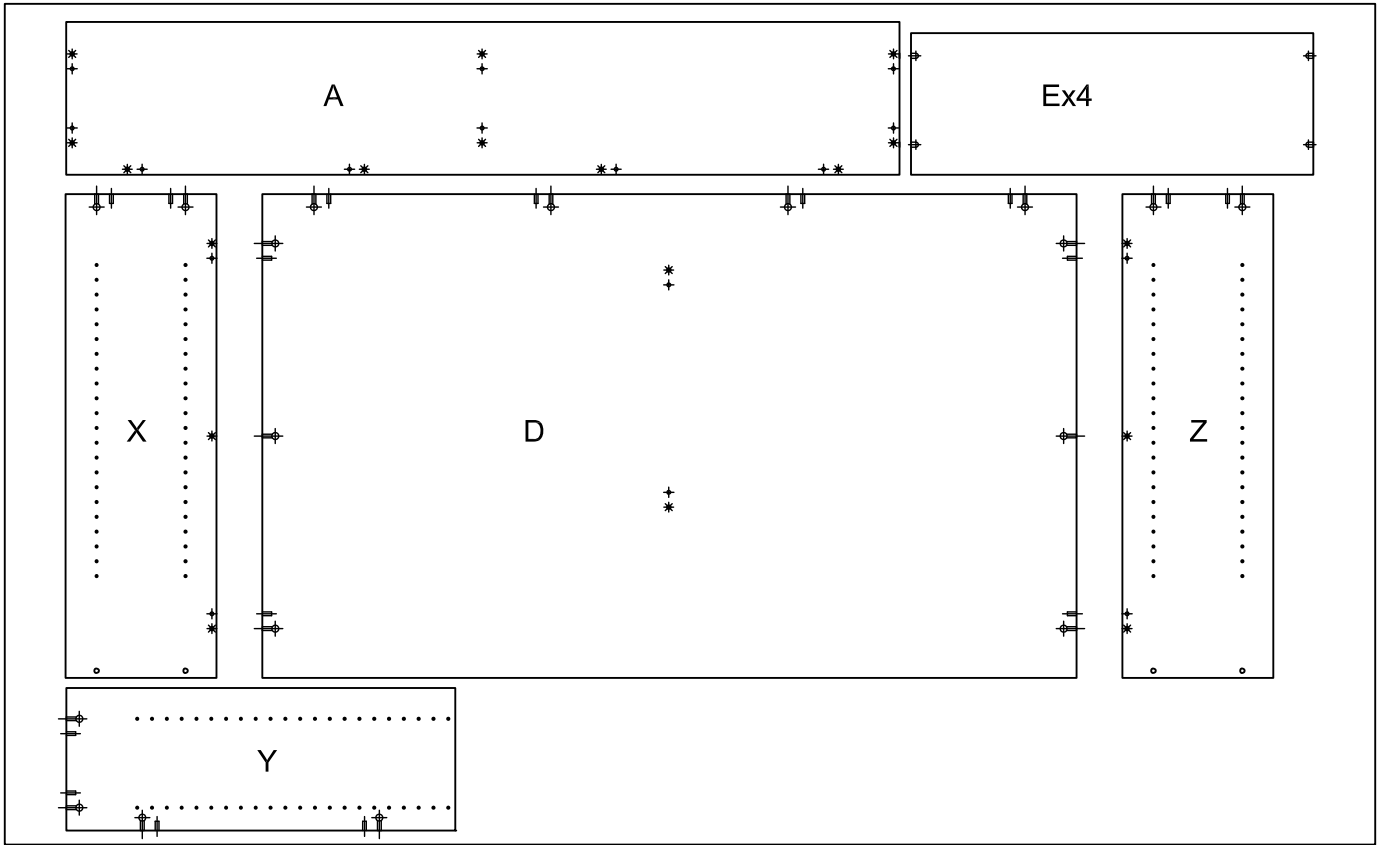
**4**





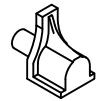






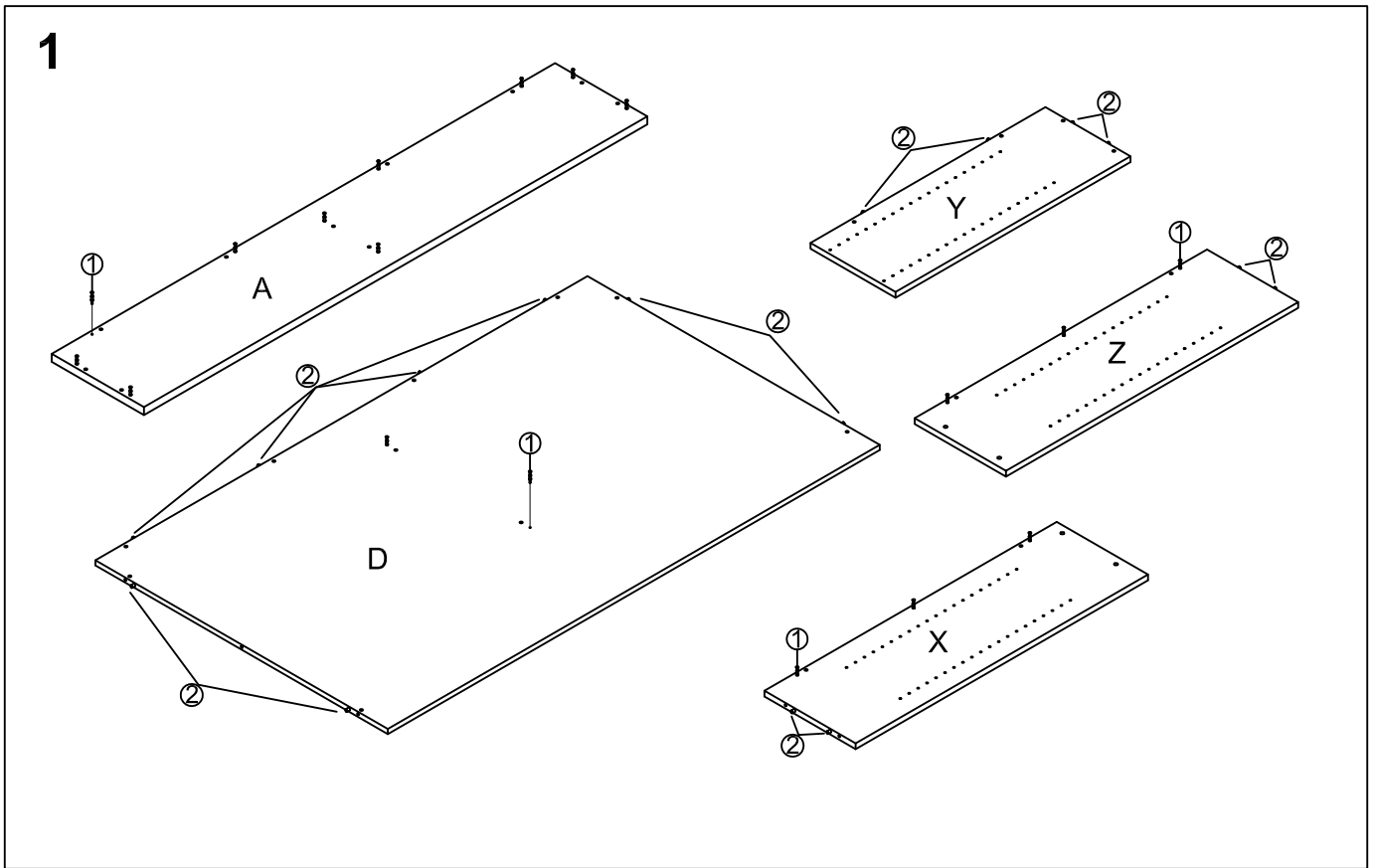
READY **2GO**

**ASSEMBLY INSTRUCTIONS**  
**OFFICE Hutches**  
**R20-HU15**

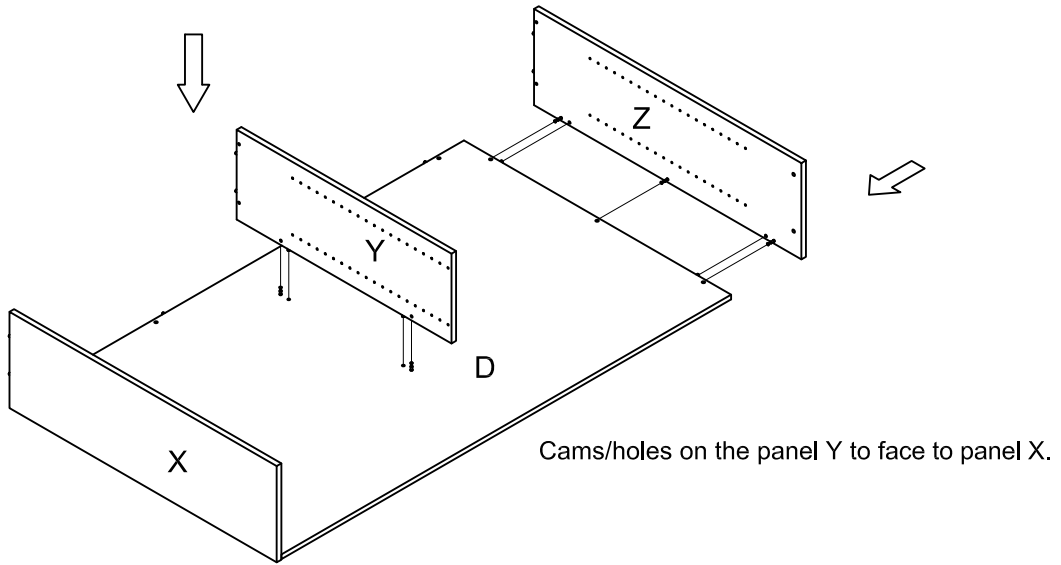




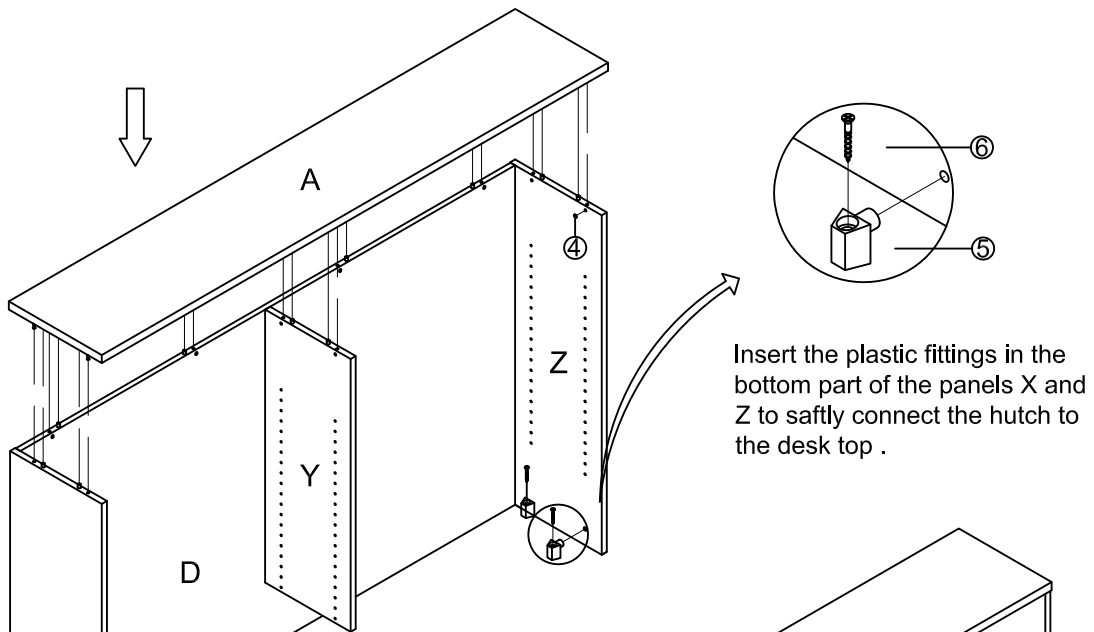
pin	6x35	Dowel	8x30	Bolt Minifix	Cam Cover	Table top connector	Screw	5x32
								
18PCS	18PCS	16PCS	16PCS	16PCS	18PCS	4PCS	4PCS	4PCS



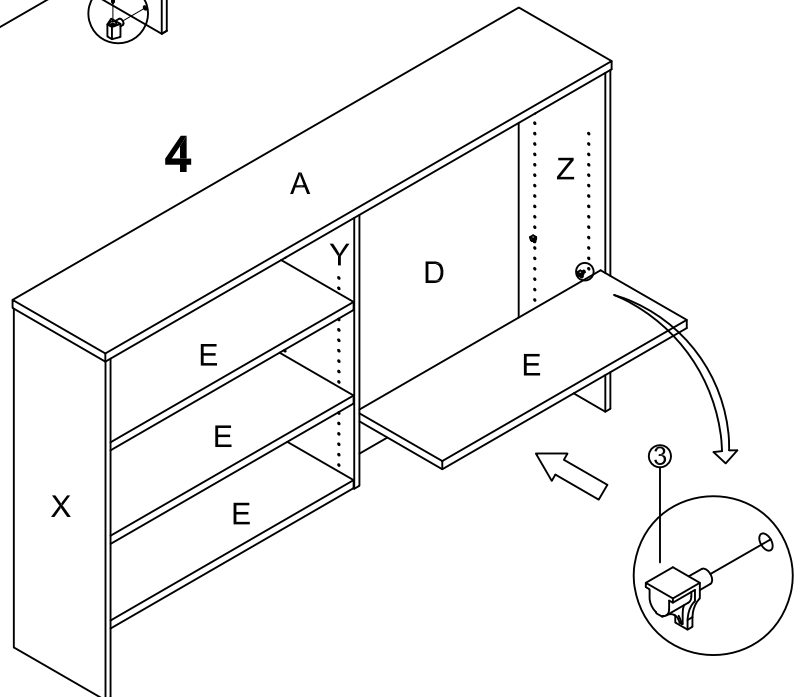
**2**



**3**

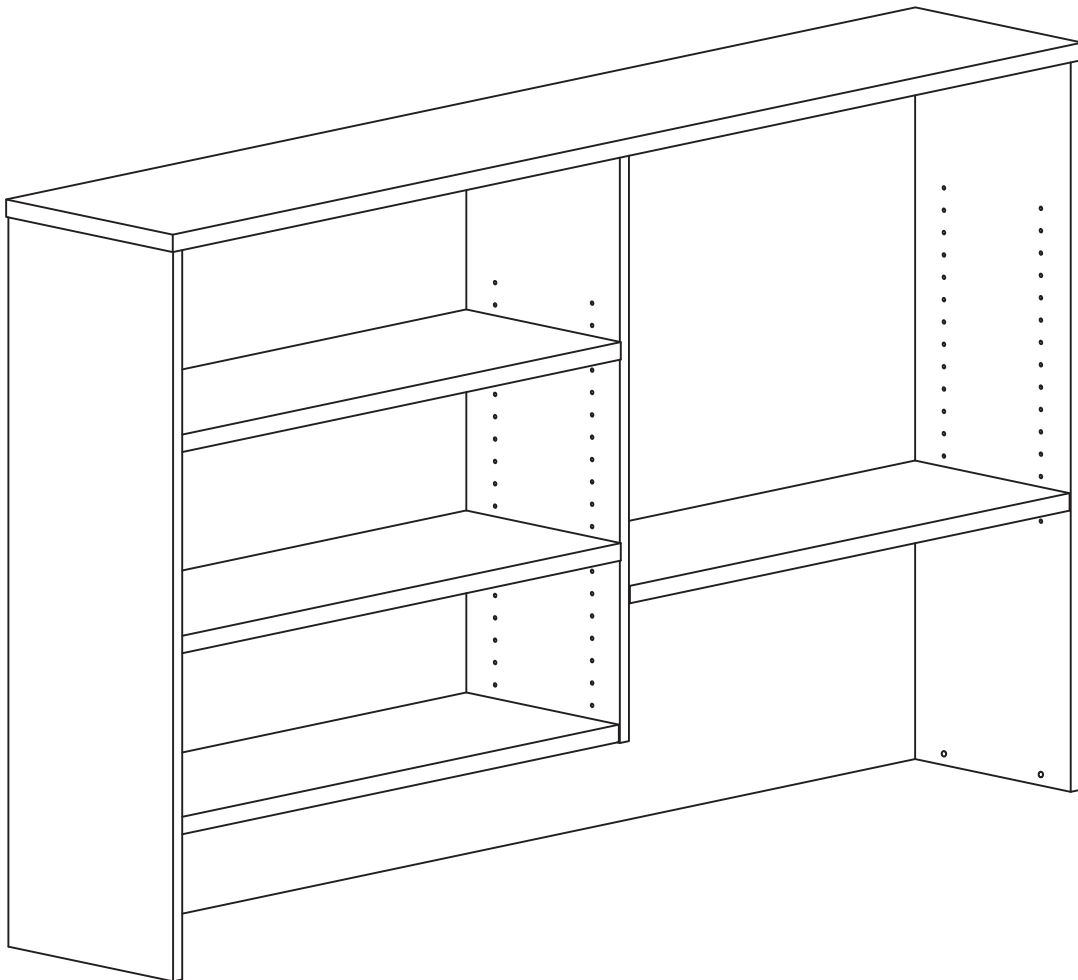


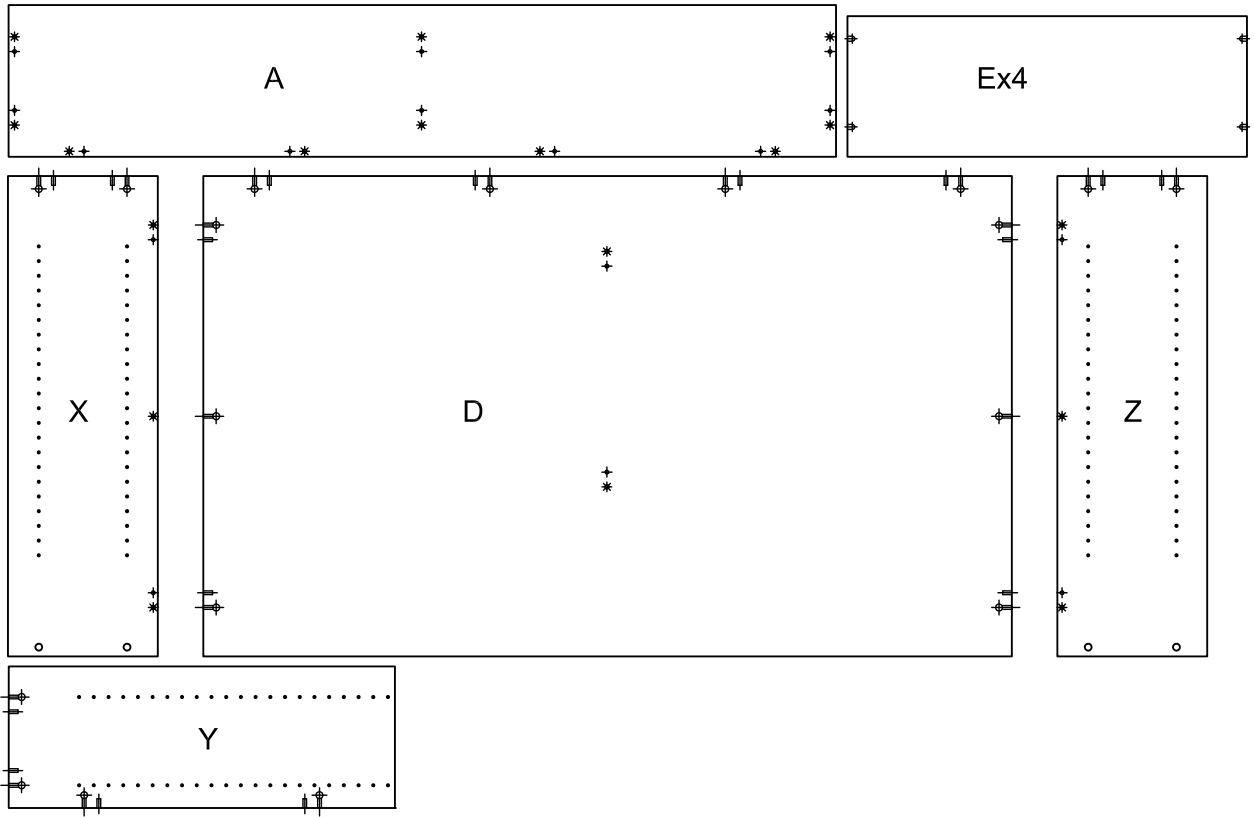
**4**

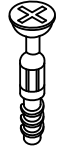

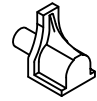

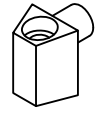



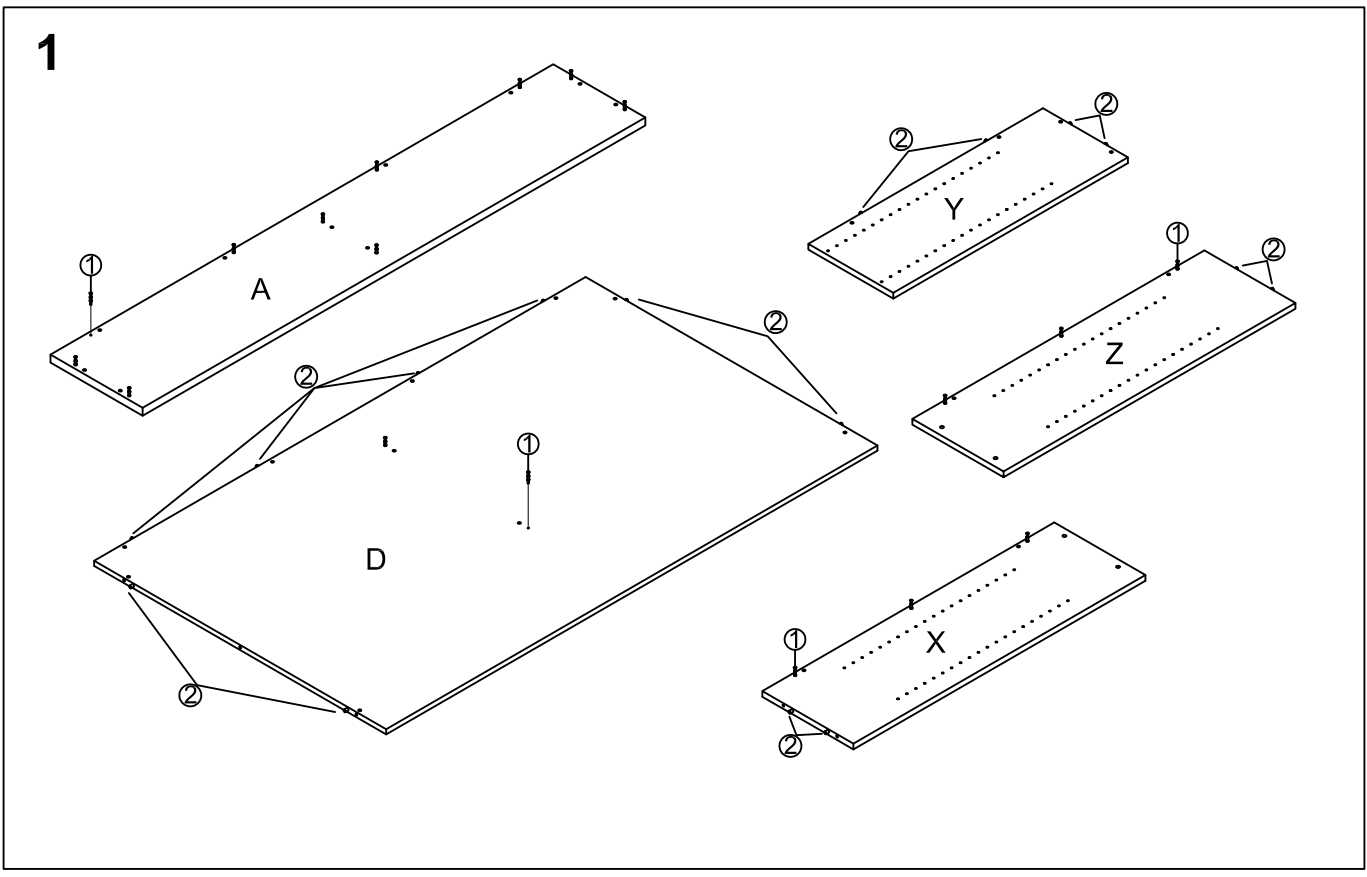
READY **2GO**

**ASSEMBLY INSTRUCTIONS**  
**OFFICE Hutches**  
**R2O-HU18**



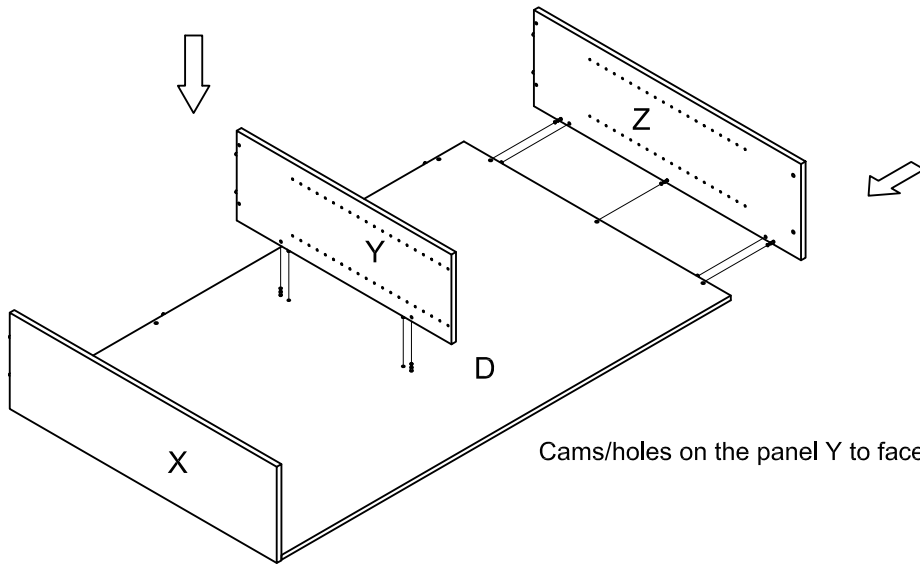


pin 6x35  ① 18PCS	Dowel 8x30  ② 16PCS	Bolt Minifix  ③ 16PCS	Cam Cover  ④ 18PCS	Table top connector  ⑤ 4PCS	Screw 5x32  ⑥ 4PCS
--	--	---	--	---	---



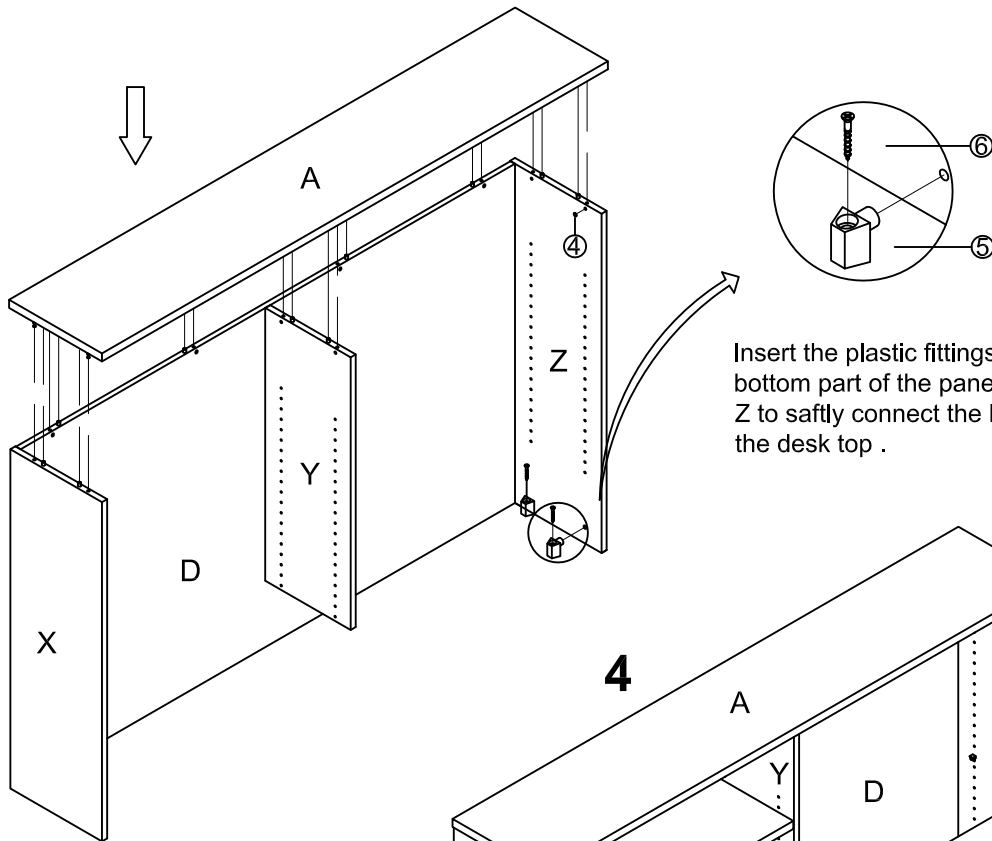


**2**



Cams/holes on the panel Y to face to panel X.

**3**



Insert the plastic fittings in the bottom part of the panels X and Z to safely connect the hutch to the desk top .

**4**

