
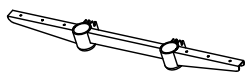

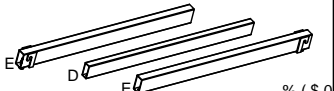
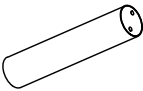

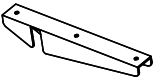

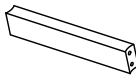
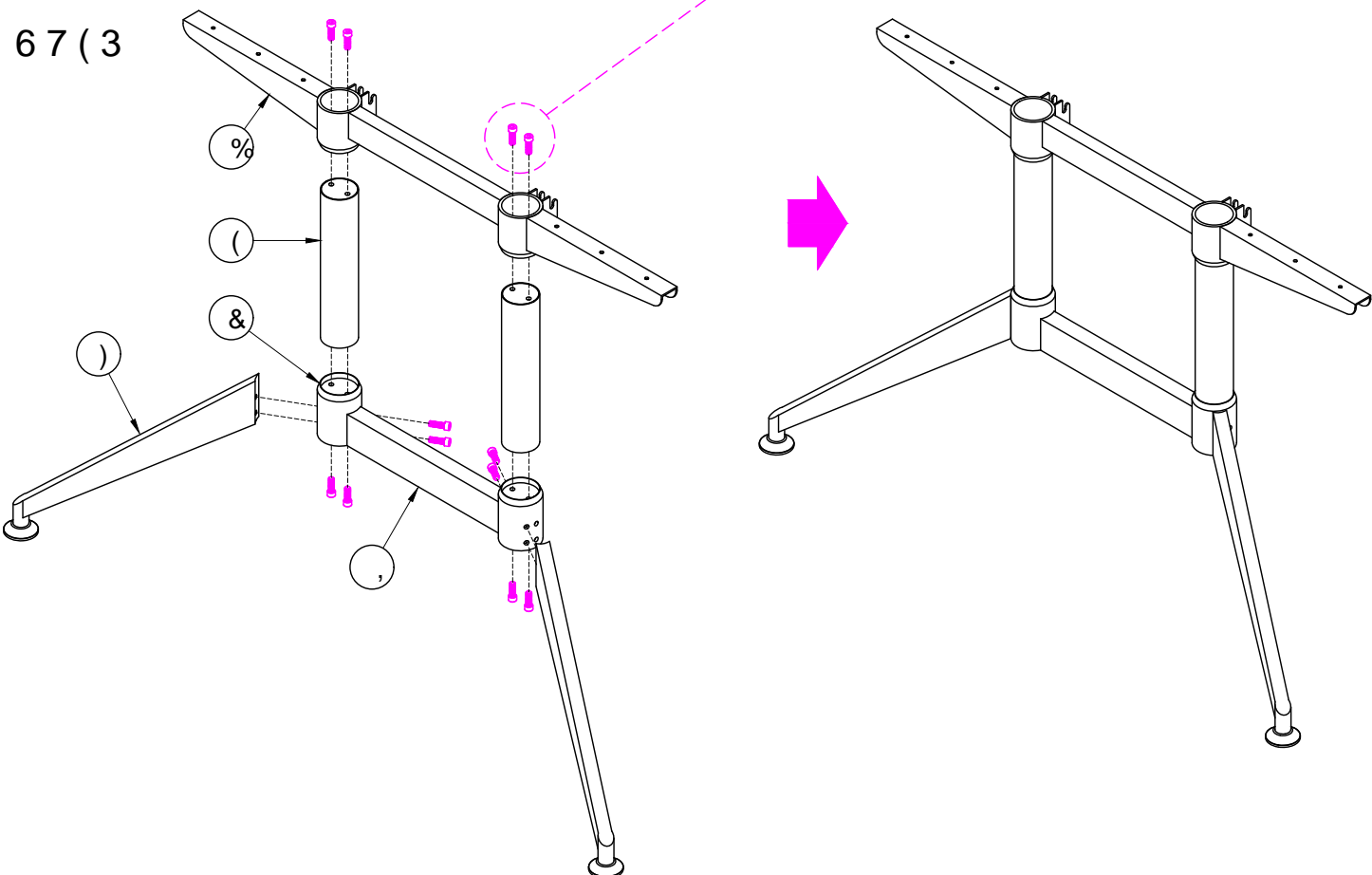
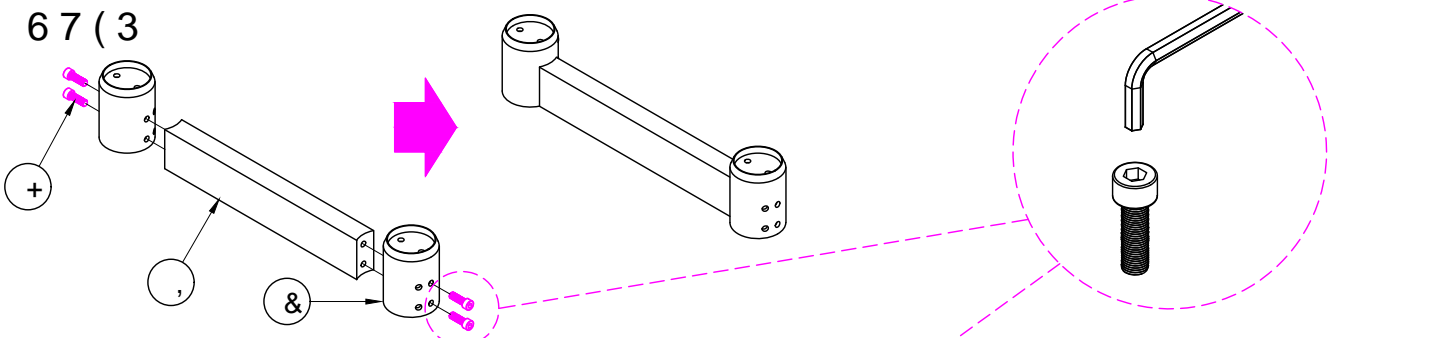
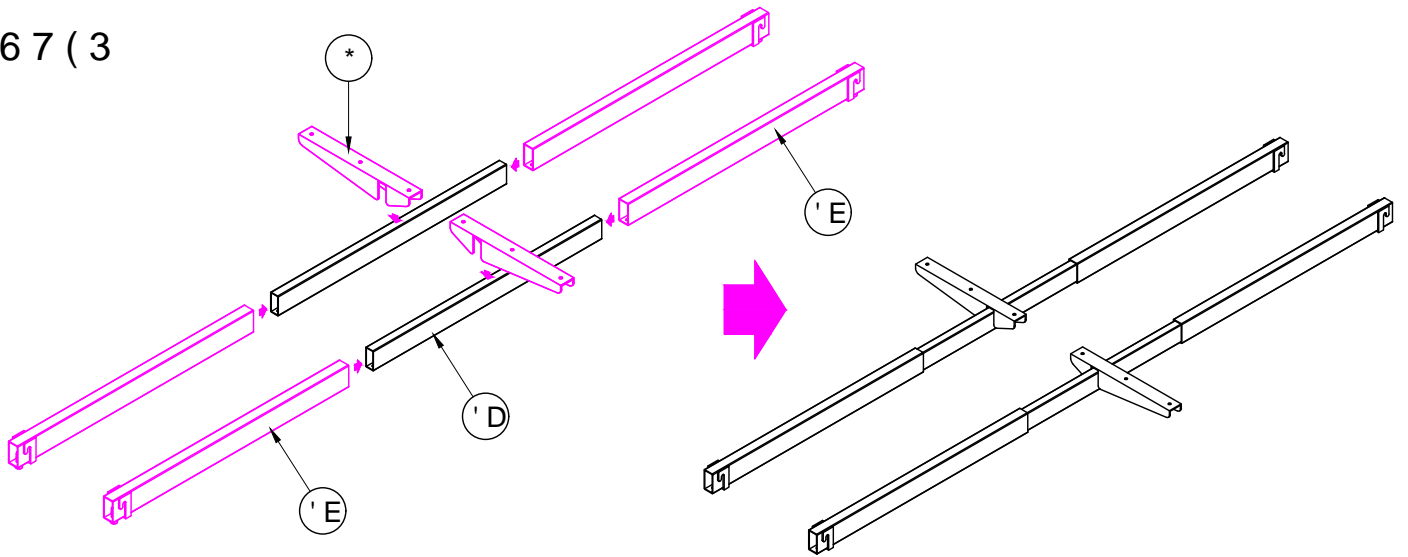


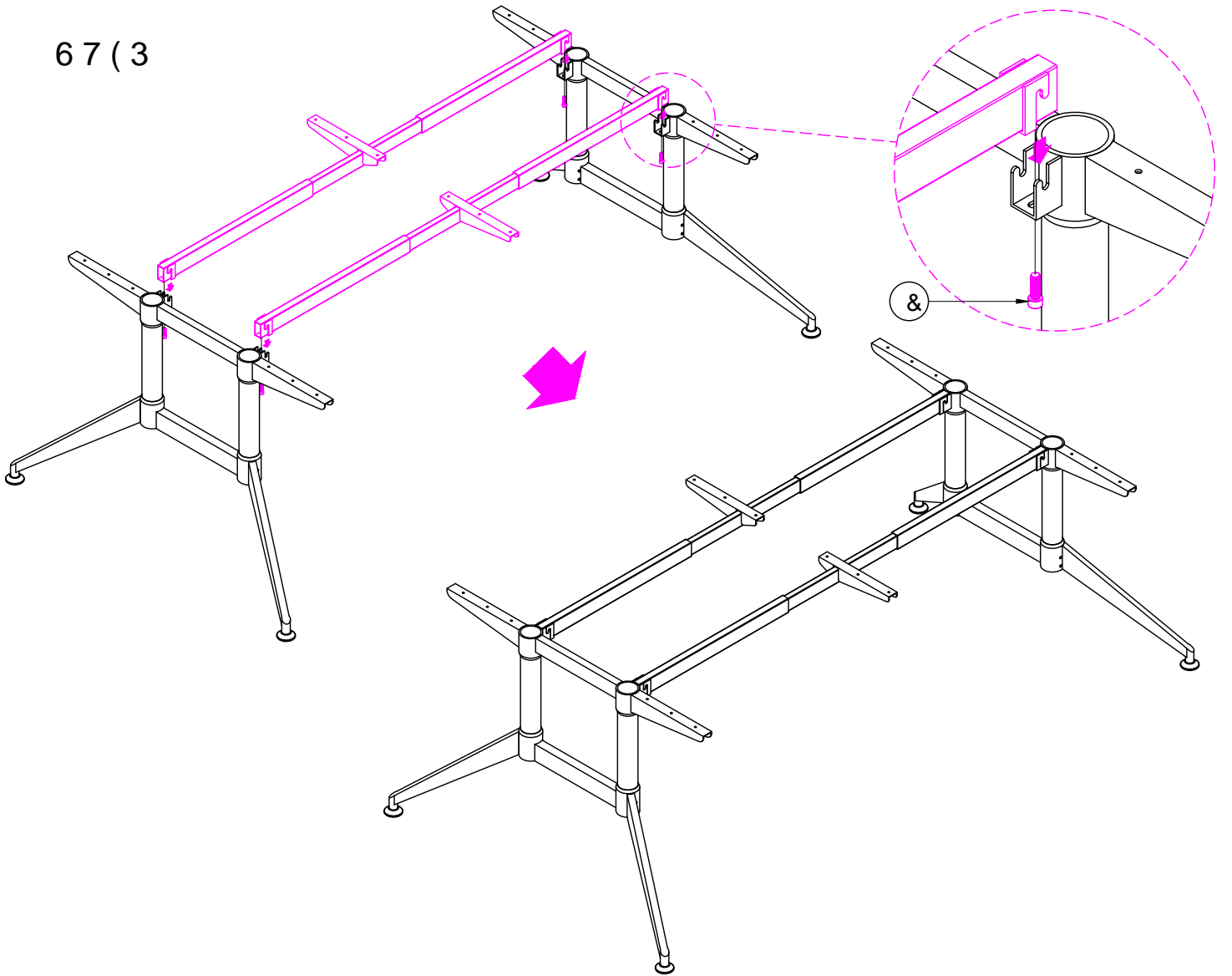
\$		[	%		[	&		[
'		[	(		[	)		[
*		[	+		[	,		[



67(3)



67(3)



Skylar Double

SKY-L12B



5(\$' < 72 \* 2 ) 851,785( 87

-



[

.

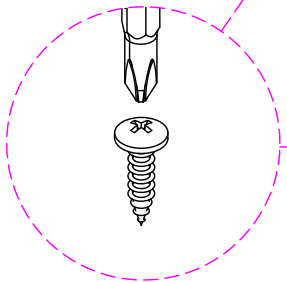
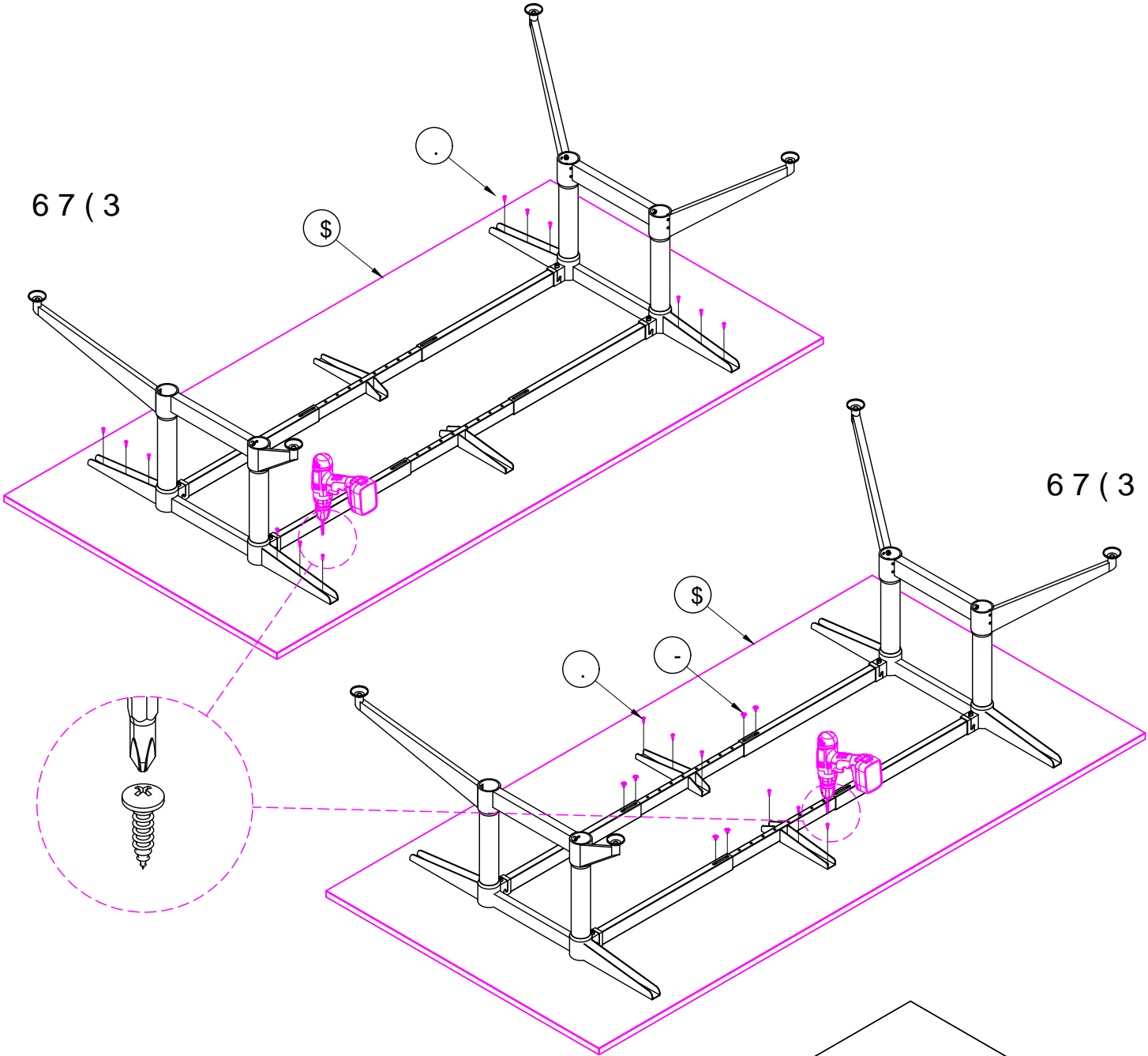


[

:22' 6&5(: 0 [

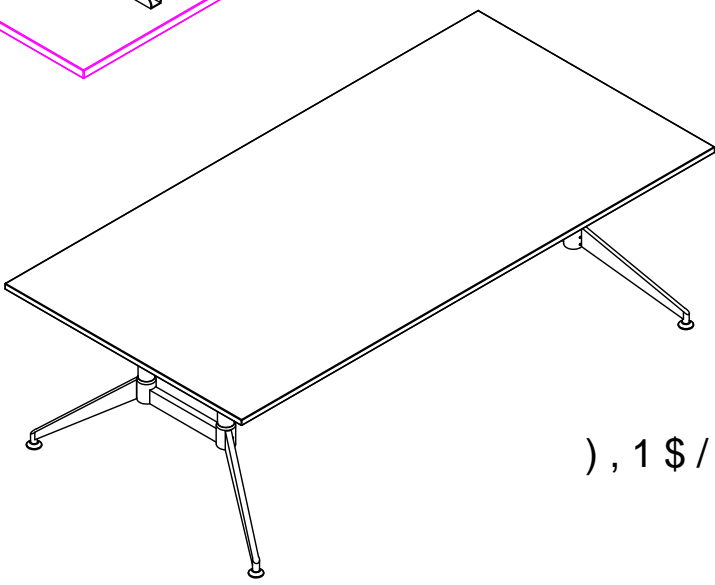
67(3

67(3



&\$87,21  
+(\$9<

3(5621 +(\$9<  
\$66(0%/<



), 1\$/

VYI h d l OE 21 / % \$66(0%/< ,16758&7,21 2)	Y B Y:]OE &\$57216
]] B = ]0} OE / [ ' [ +	© 5(\$'< 72 *2 )851,785( 87