
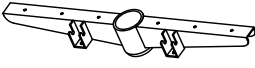

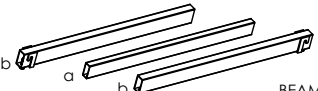
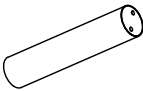



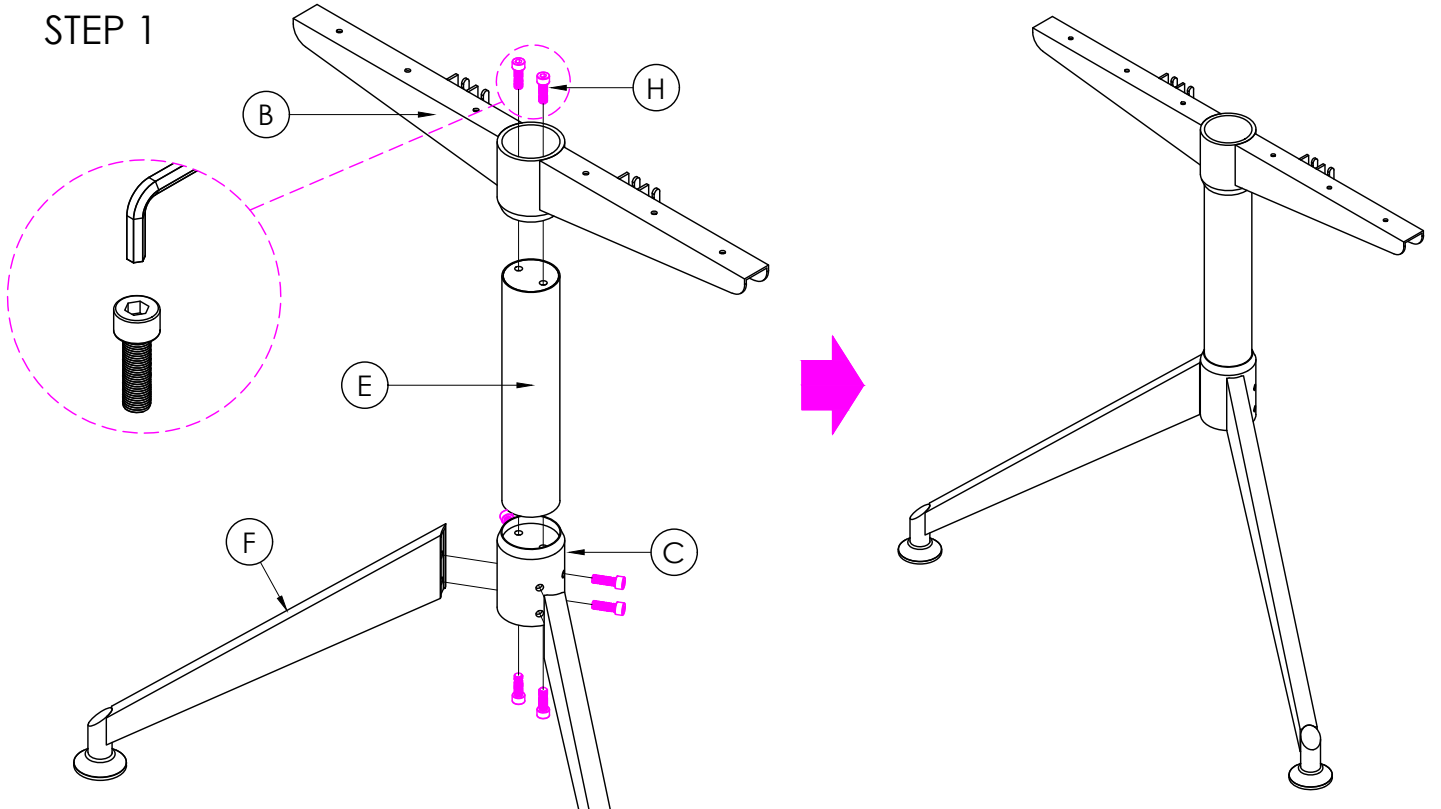
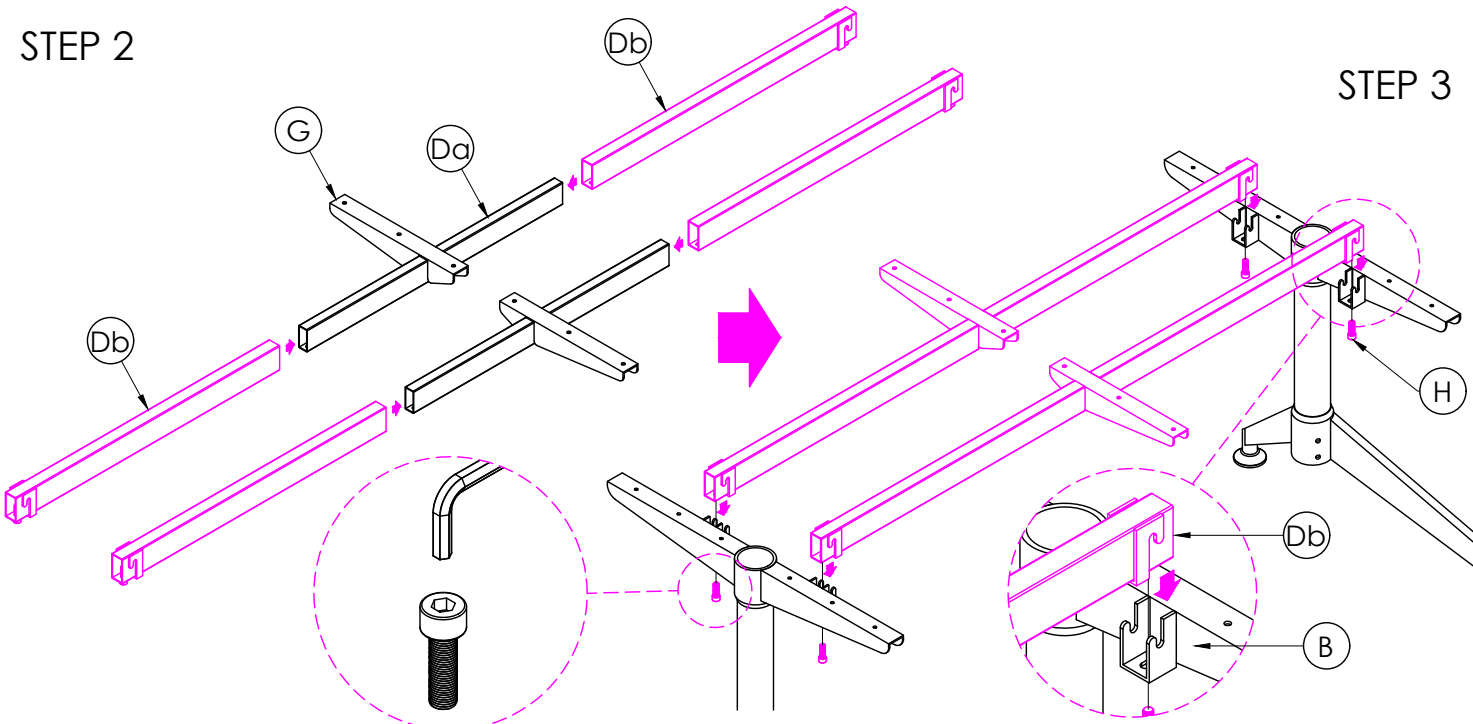


A		1x	B		2x	C		2x
D		2x	E		2x	F		4x
G		2x	H		20x			

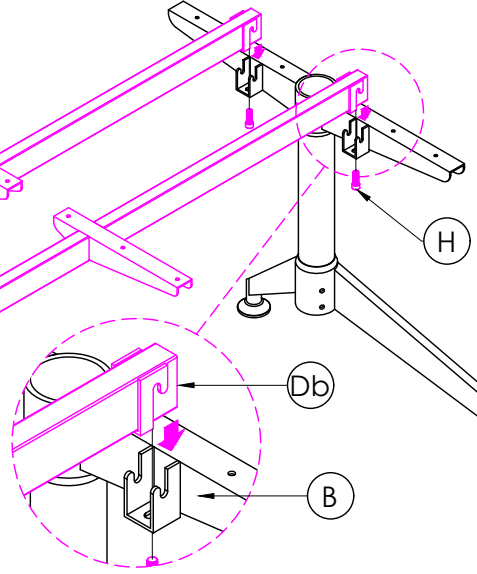
STEP 1



STEP 2



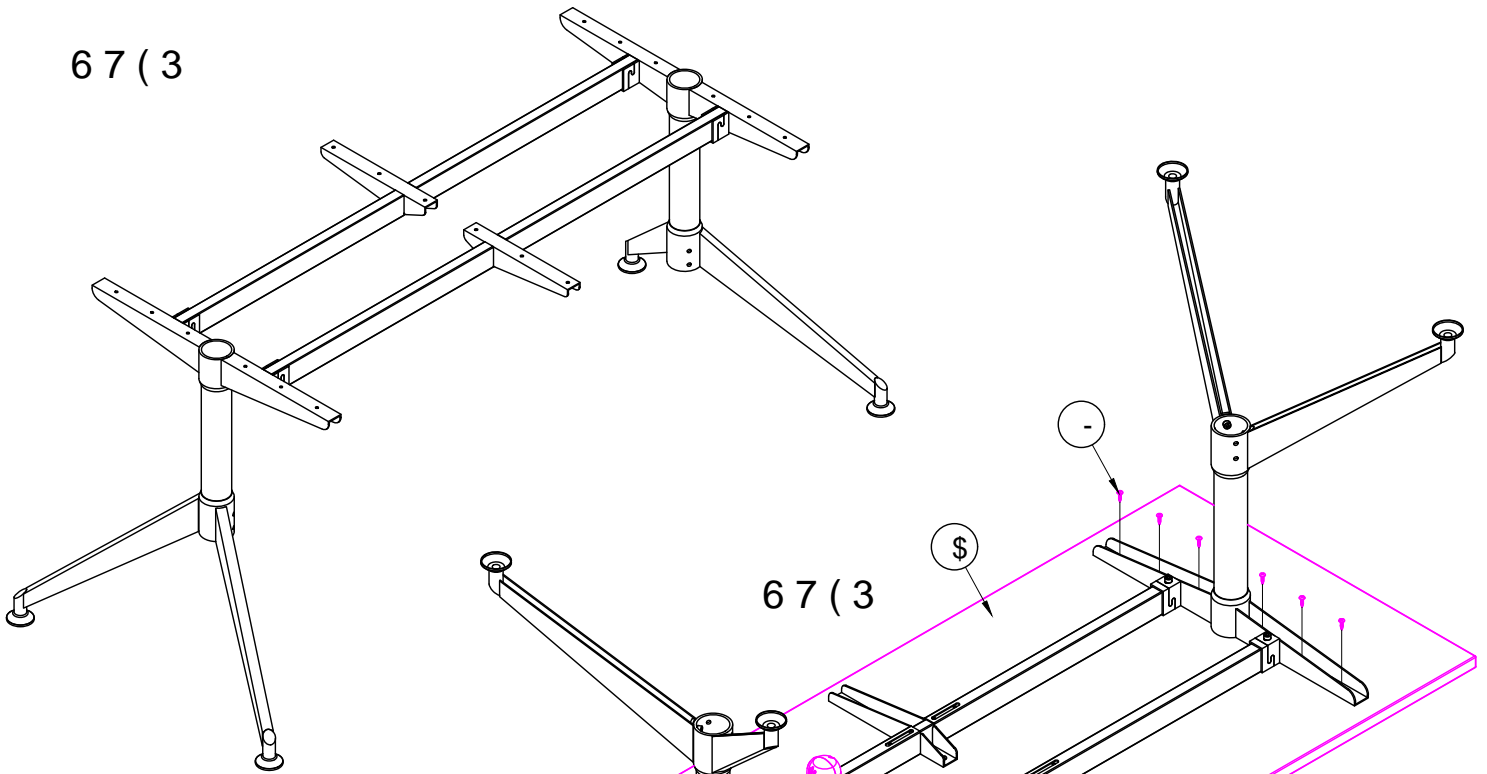
STEP 3



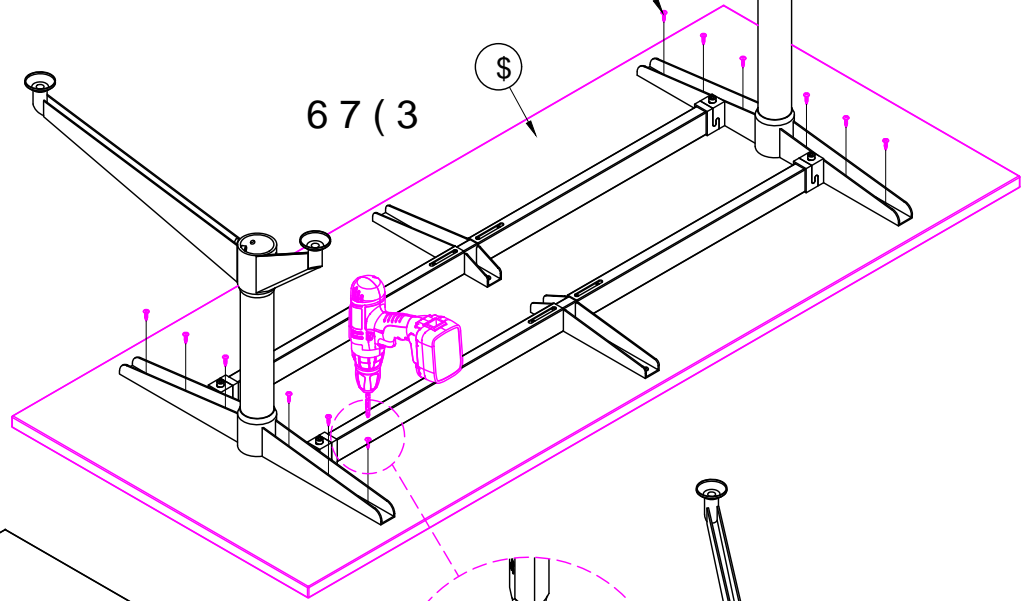


:22' 6&5(: 0 [

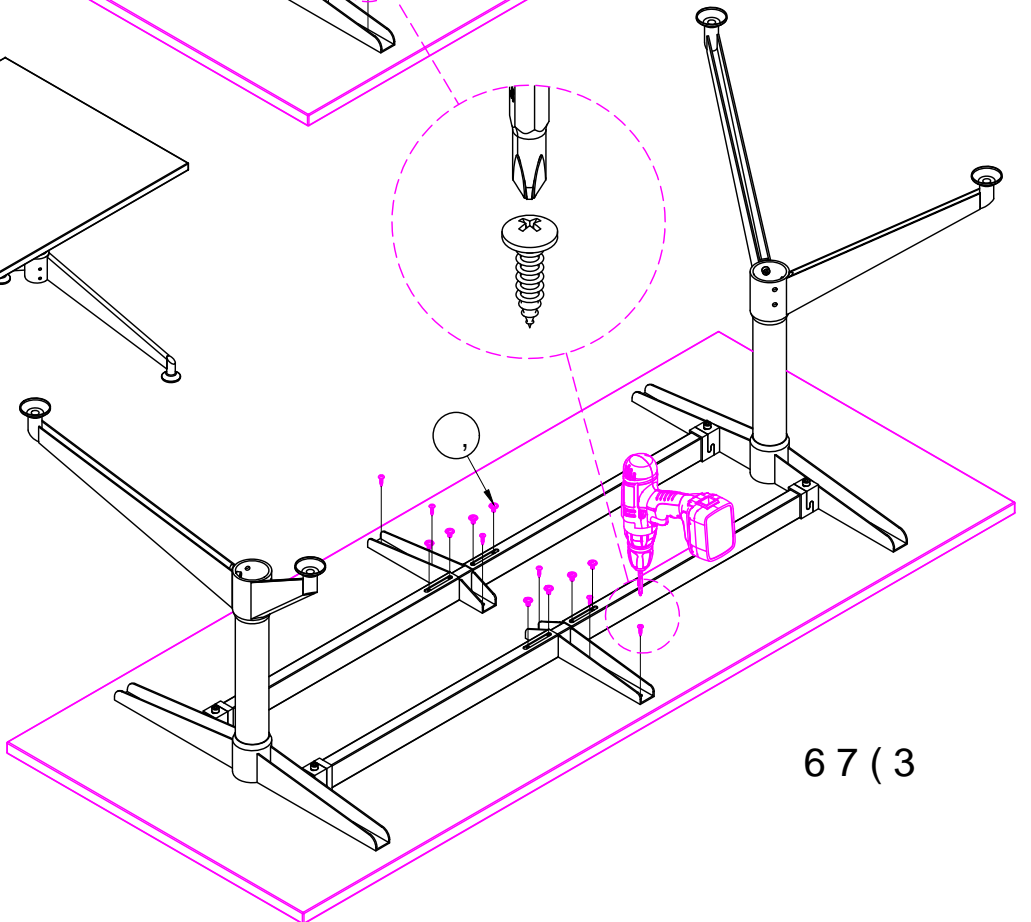
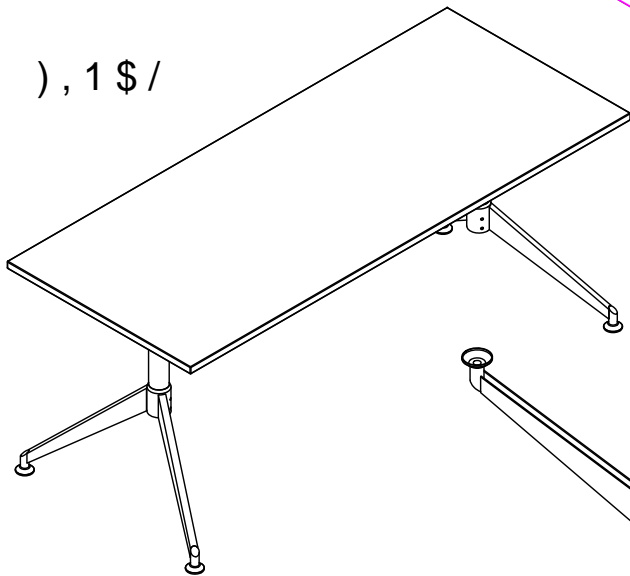
67(3



67(3



), 1 \$/



67(3

& \$87,21
+ (\$9<

3(5621 + (\$
\$66(0%/<

VYI h d l Œ
21 / %
\$66(0%/< ,16758&7,2

Y B Y:] Œ
2) & \$57216

]] B =] 0 } Œ

/ [' [+



5(\$'< 72 *2)851,785(87