
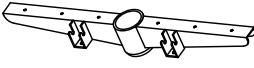
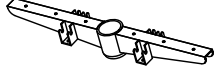


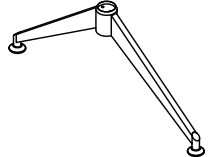
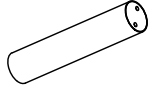

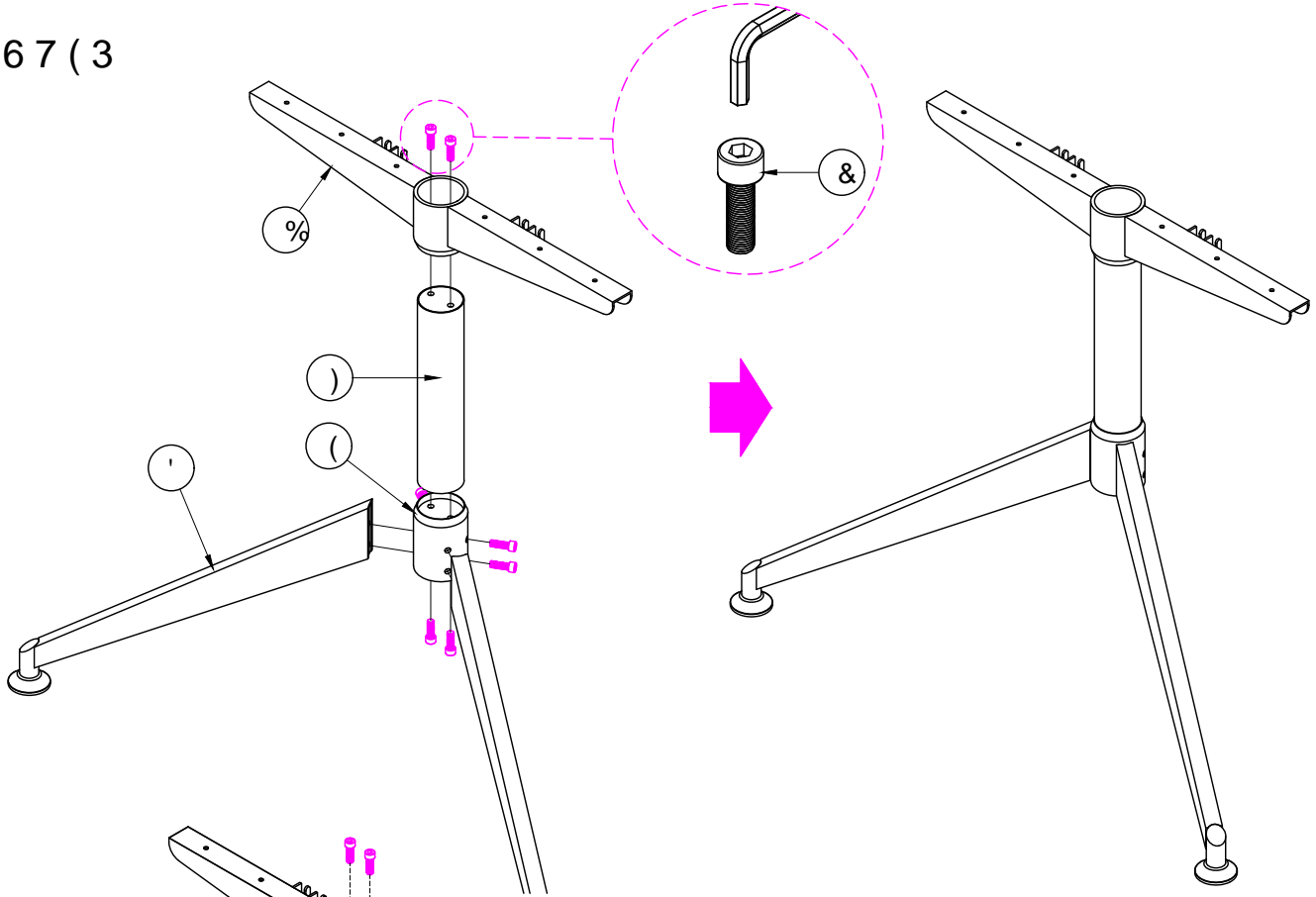
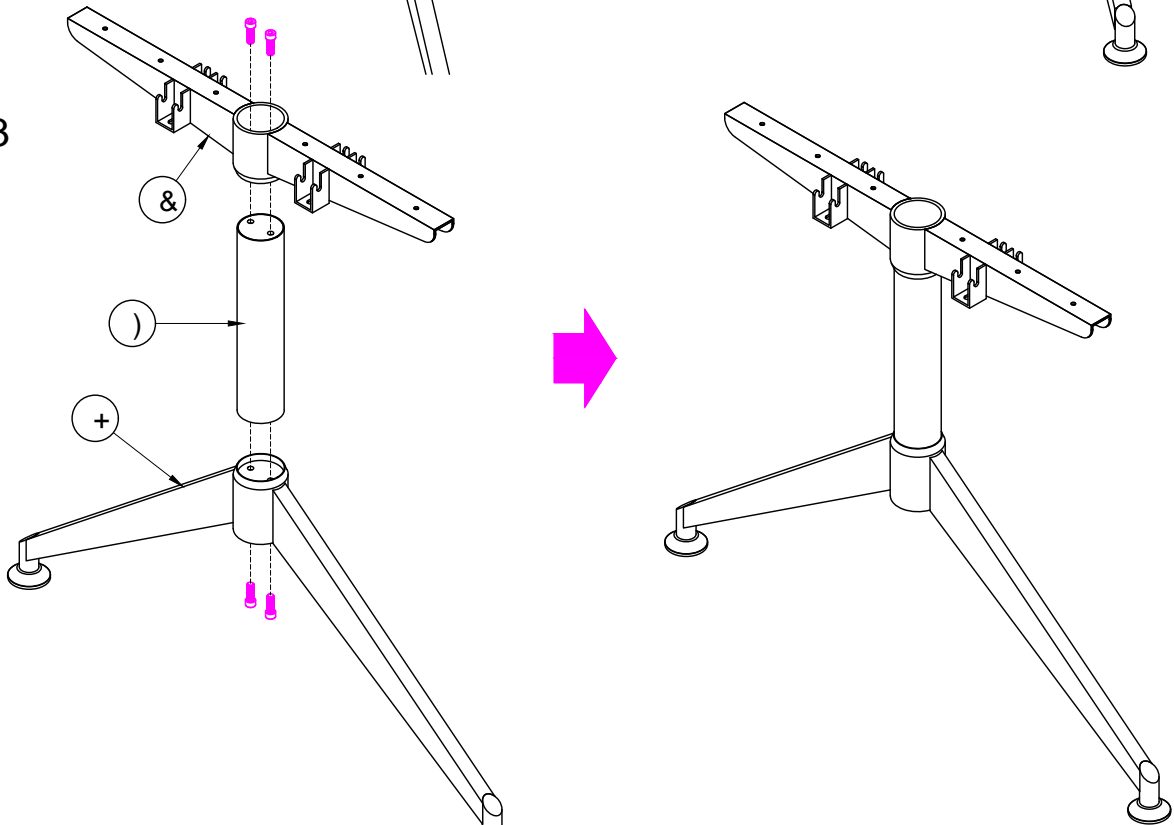


\$		[	%		[	&		[
'		[	(		[	+		[
)		[	*		[			

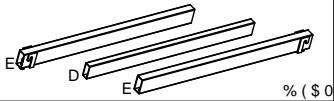
67 (3)



67 (3)

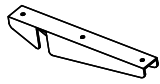


+



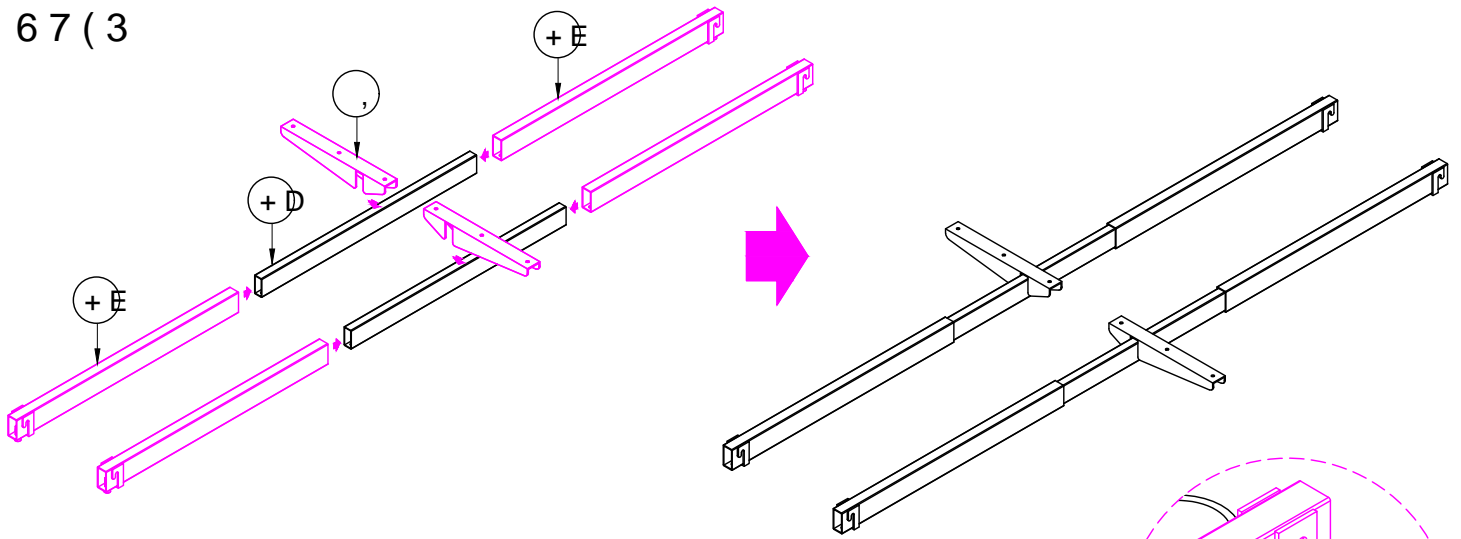
[

,

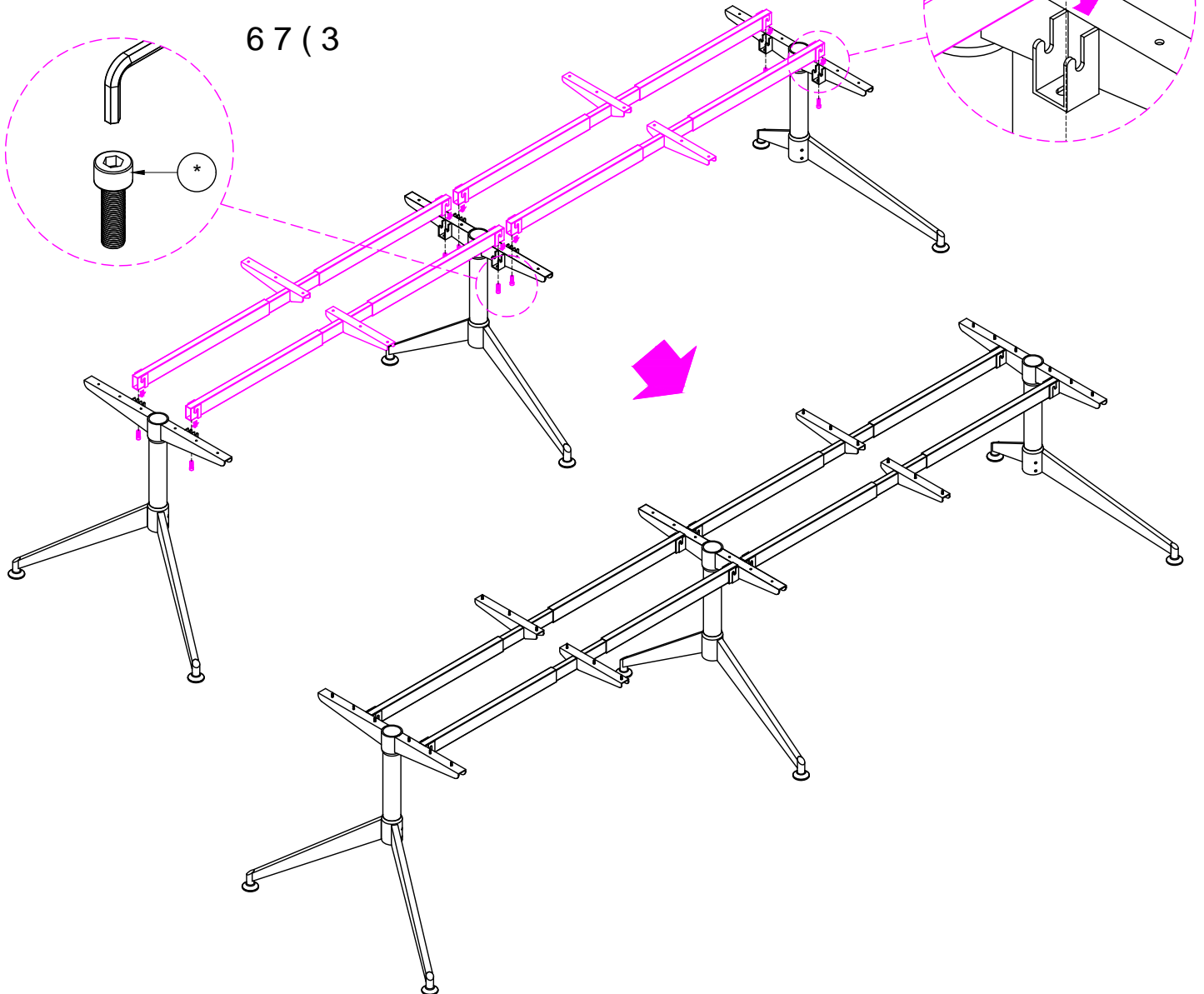


[

67 (3)



67 (3)



Skylar Single with Sha

SKY-LS



5 (\$' < 72 \* 2 ) 851,785 ( 87

-



[

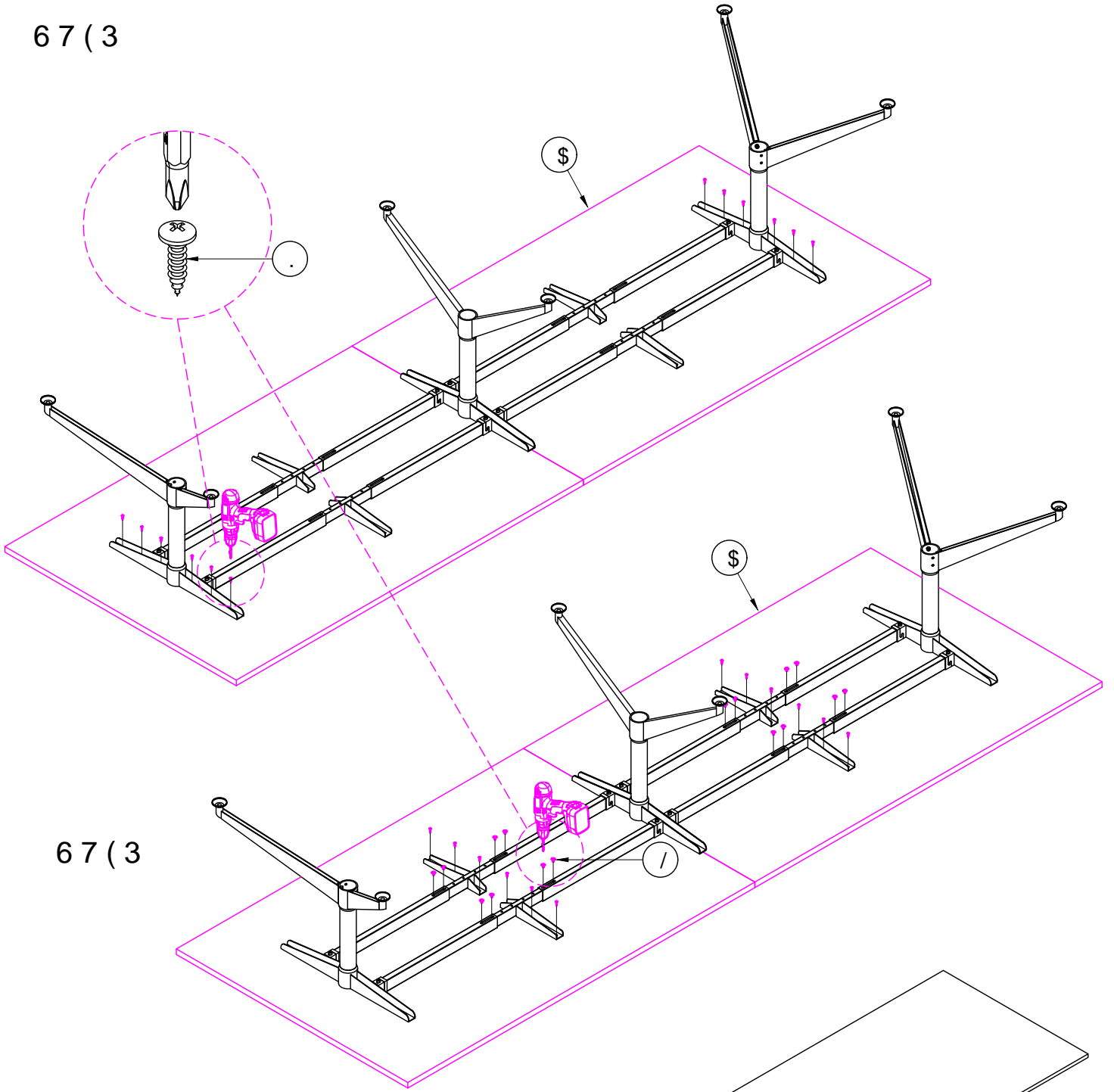
.



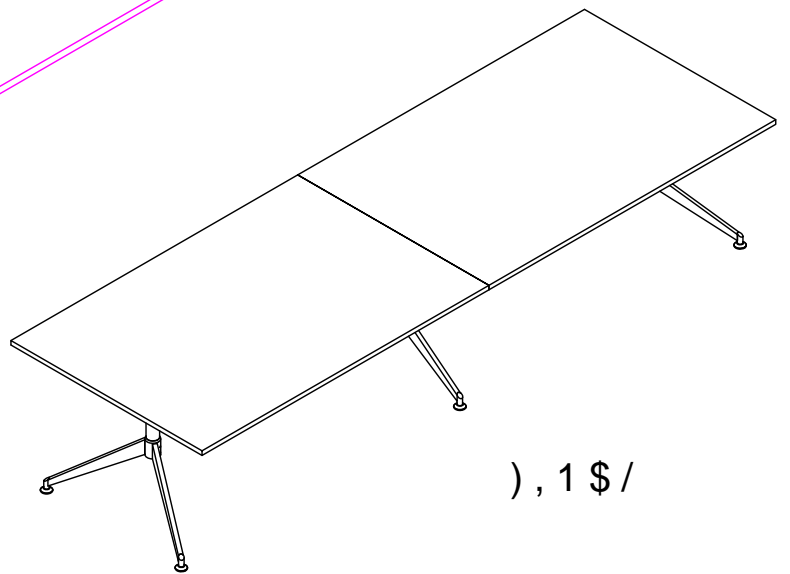
:22' 6&5(: 0 [

[

67(3



67(3



&\$87,21  
+(\$9<

3(5621 +(\$9<  
\$66(0%/<

), 1\$/

VYI h d l OE 21 /6 % \$66(0%/< ,16758&7,21 2)	Y B Y:]OE &\$57216
]] B = ]0} OE / [ ' [ +	© 5(\$'< 72 *2 )851,785( 87