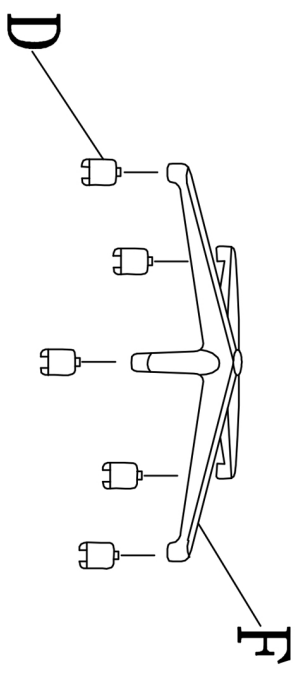
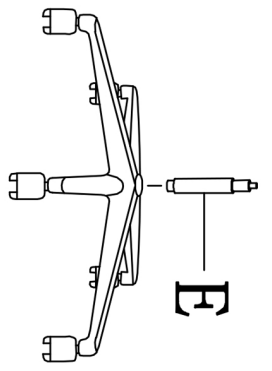


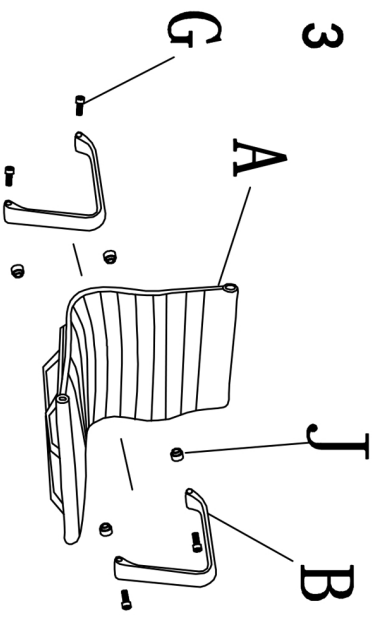
1



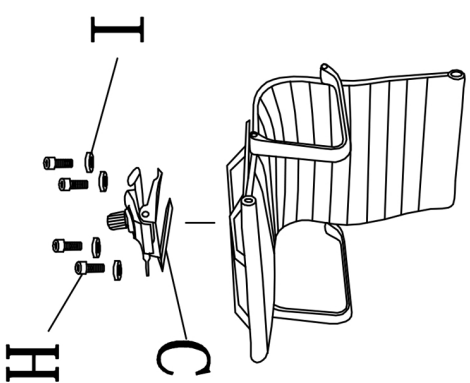
2



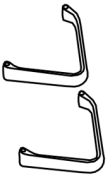
3



4



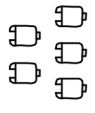
A (1pc)



B (2pcs)



C (1pc)



D (5pcs)



E (1pc)



F (1pc)



G (4pcs)
M8x50



H (4pcs)
M8x15



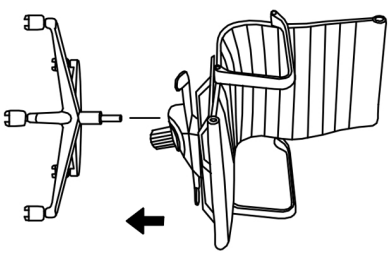
I (4pcs)



J (4pcs)



K (1pc)
6mm



5