

# SPHERE

SPH-B / SPH-G



## FEATURES

- The Sphere supports the modern workplace with superior ergonomics
- Button Controlled mechanism with Multiple ergonomic adjustments
- Seat slider built into the multi locking tilt mechanism with 4 position lock
- Tilt tension control of the Back and Seat can be performed independently
- Moulded seat
- Black Nylon 60mm Castors and Arch Base
- 10 Year Warranty rated to 140 Kilogram Users
- Grey Nylon Chair Frame with Grey Mesh Back and Grey Fabric Seat or Black Nylon Chair Frame with Black Mesh Back and Black Fabric Seat

## COLOUR



Black

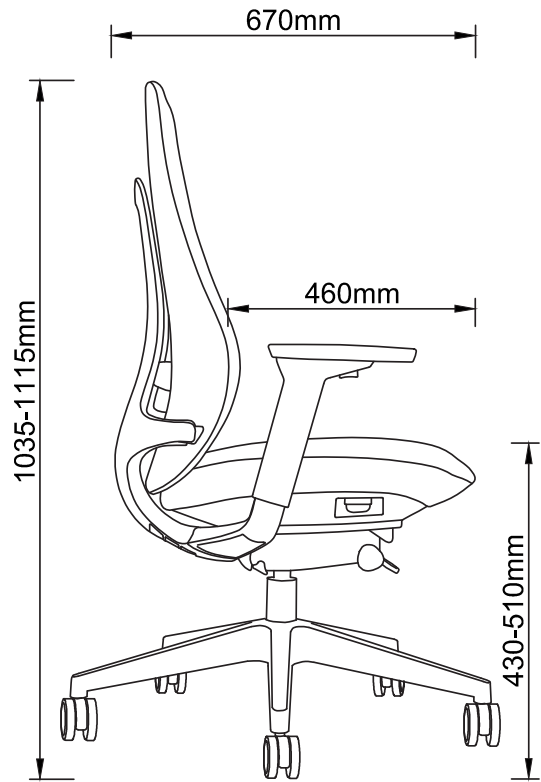
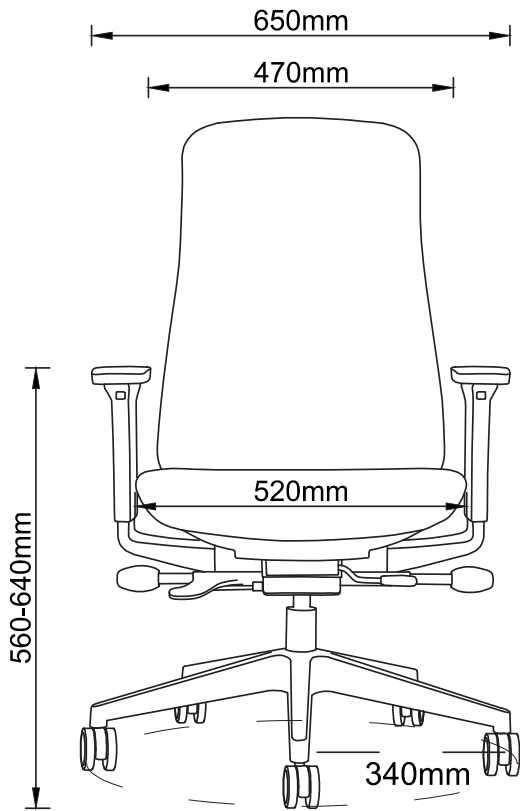


Light Grey



# SPHERE

---



*Ready To Go Furniture assumes no responsibility or liability for any errors or omissions in the content of this site and document. The information contained in this site is provided on an "as is" basis with no guarantees of completeness, accuracy, usefulness or timeliness.*