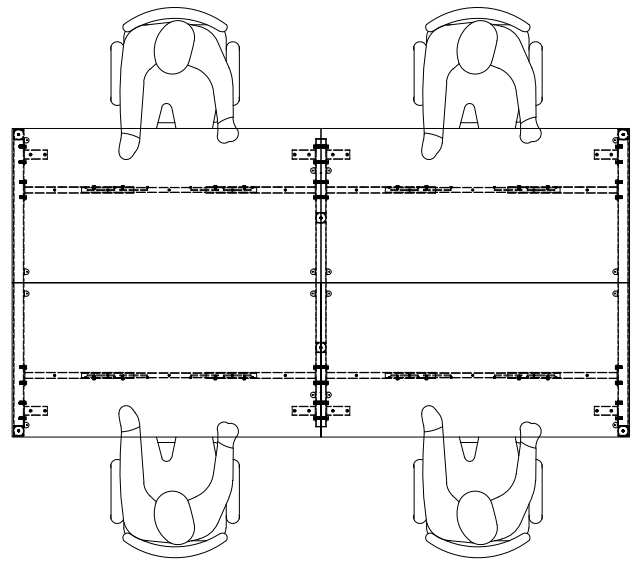
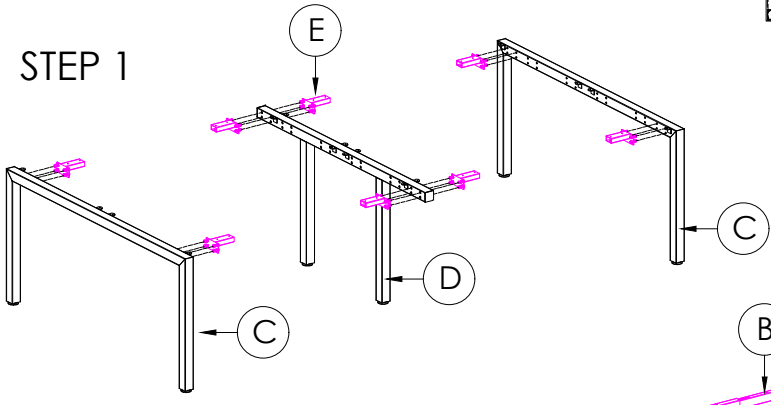


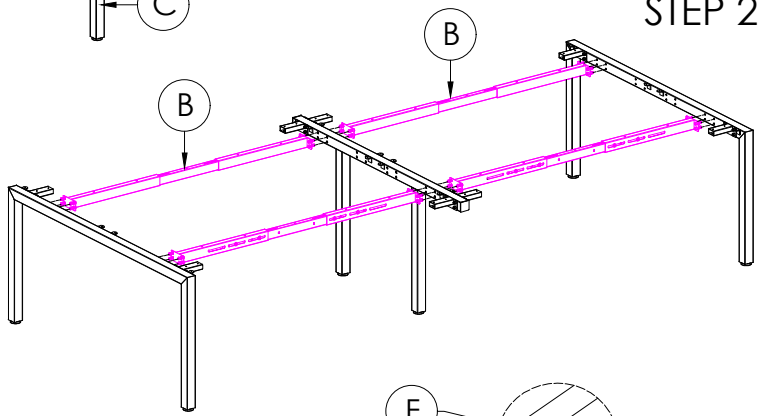
A		x4	C		x1	D		x1
B		x4	E		x8	F		x2
H		x10	G		x16	I		x8



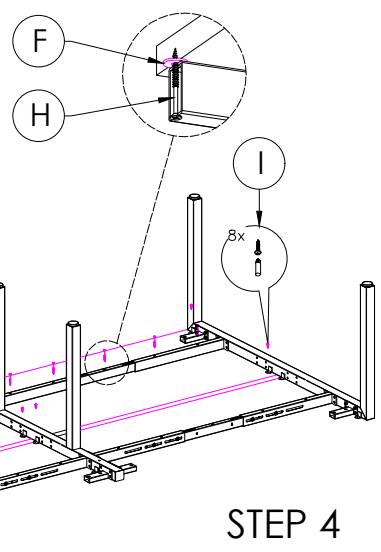
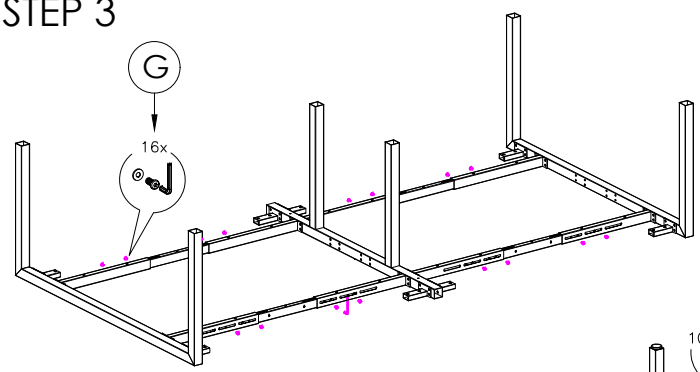
STEP 1



STEP 2


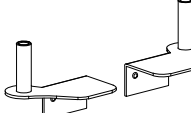

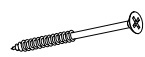




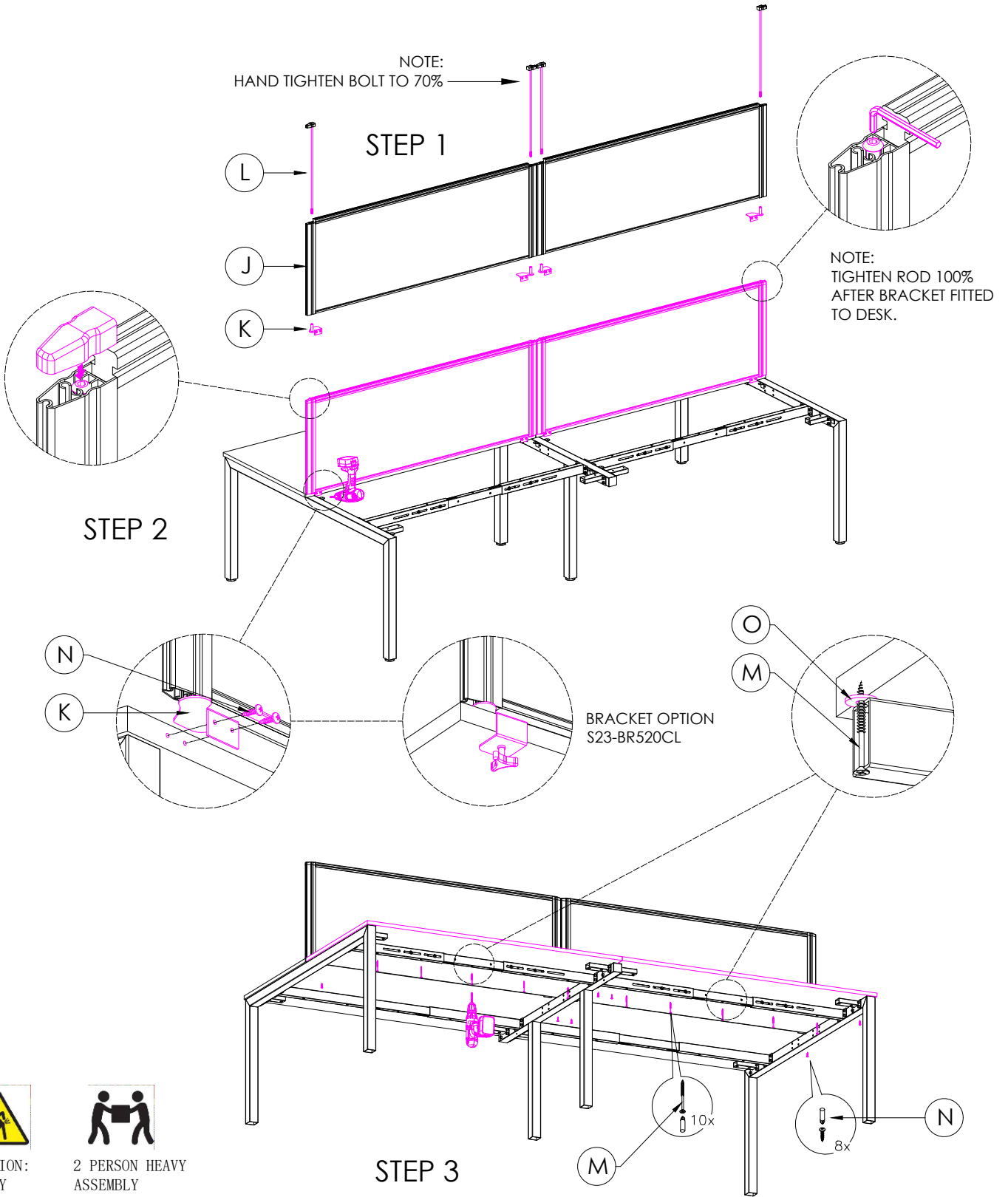
STEP 3



STEP 4

CAUTION: HEAVY
 2 PERSON HEAVY ASSEMBLY

J	VARIOUS SIZES  S23 PARTITION	x2	K	S23-BR520SM NOTE: CAN USE S23-BR520TM OR S23-BR520CL BRACKETS	 BRACKETS	x2	L	 ROD PACKED INSIDE THE PARTITION	x6
M	70mm  CHIPBOARD SCREW	x10	N	20mm  CHIPBOARD SCREW	x8	O	 3mm SPACER	x2	

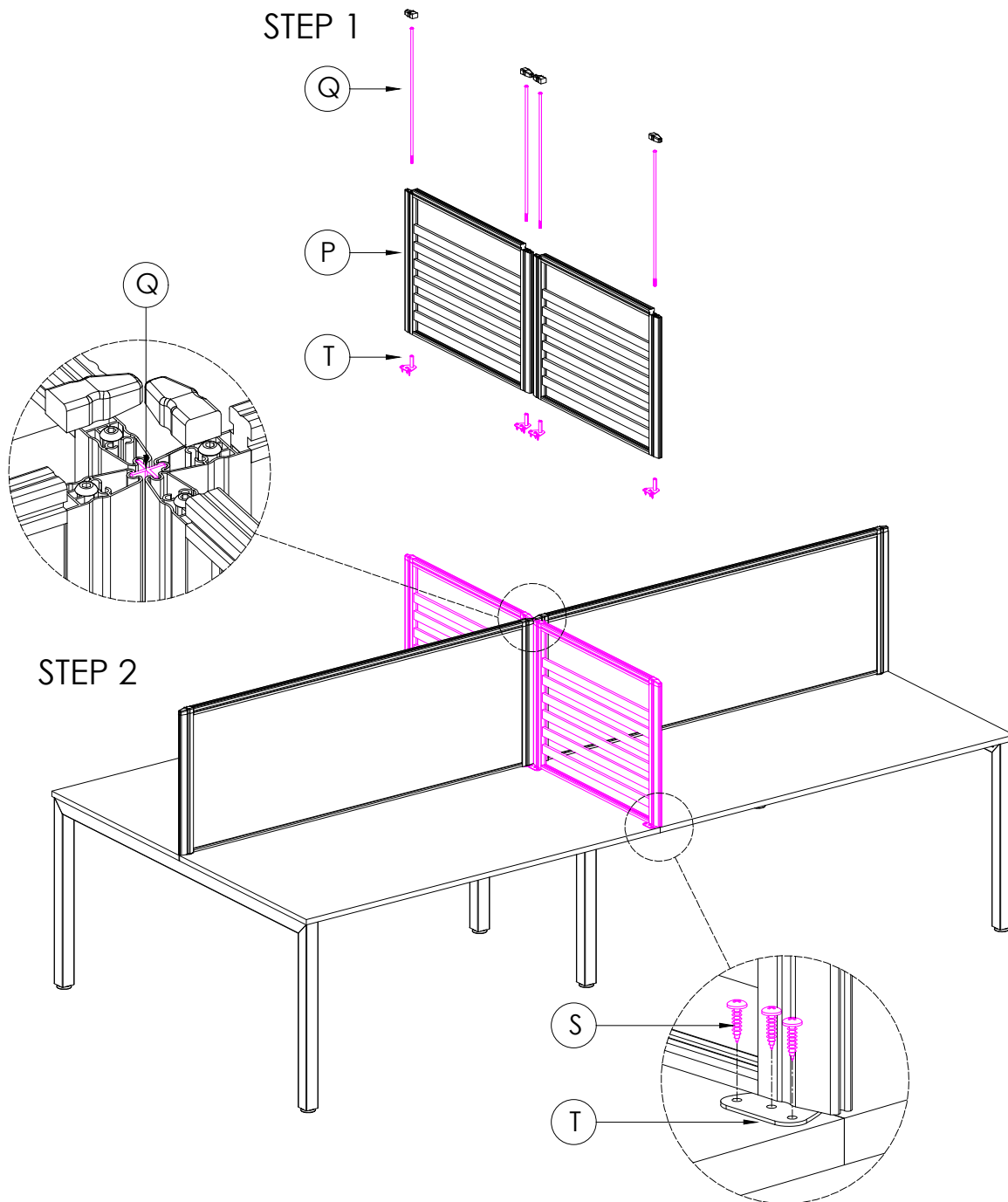


CAUTION:
HEAVY



2 PERSON HEAVY
ASSEMBLY

P	GLASS / FABRIC	x2	Q	ROD PACKED INSIDE THE PARTITION	x6	R	JOINING STRIP	x1
	SCREEN		T	SL-BR520TM	BRACKET	x4		
S	20mm	x12						
	CHIPBOARD SCREW							



CAUTION:
HEAVY



2 PERSON HEAVY
ASSEMBLY

