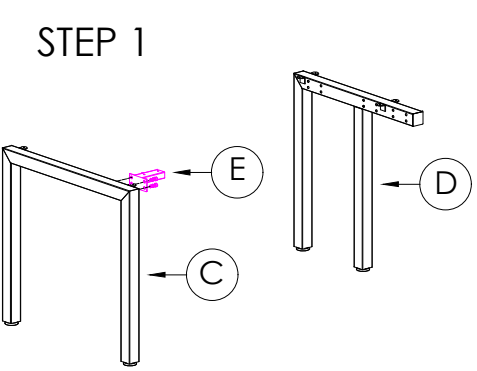
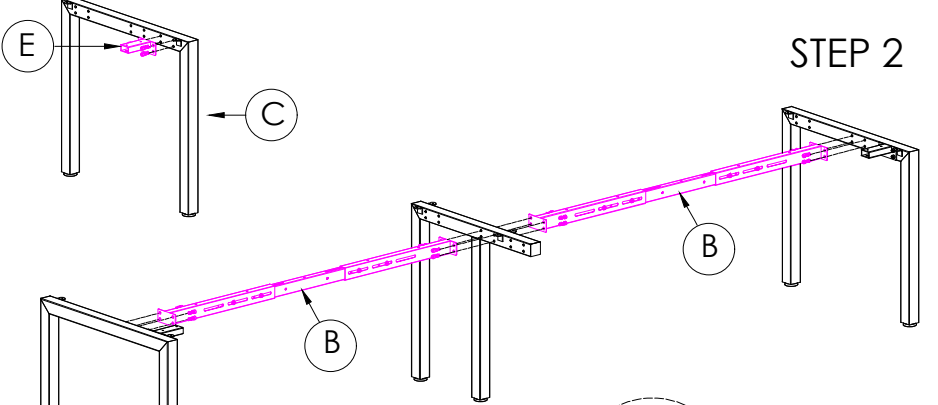


| | | | | | | | | |
|---|------------------------------|-----|---|------------|----|---|-------------------------------------|----|
| A | VARIOUS SIZES DESKTOP | x2 | C | 2x ST-LE75 | x1 | D | ST-INSS (700mm) | x1 |
| B | ST-AB1218 ADJUSTABLE BEAM | x2 | F | 3mm SPACER | x2 | G | M6 x 20mm BUTTON HEAD ALLEN BOLT | x8 |
| E | 100mm x 50mm BRACKET | x2 | | | | | | |
| H | 70mm CHIPBOARD SCREW | x10 | | | | | | |
| I | 20mm CHIPBOARD SCREW | x8 | | | | | | |

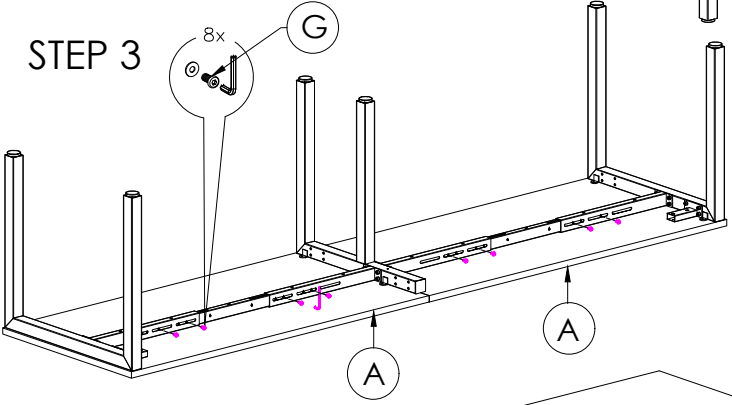
STEP 1



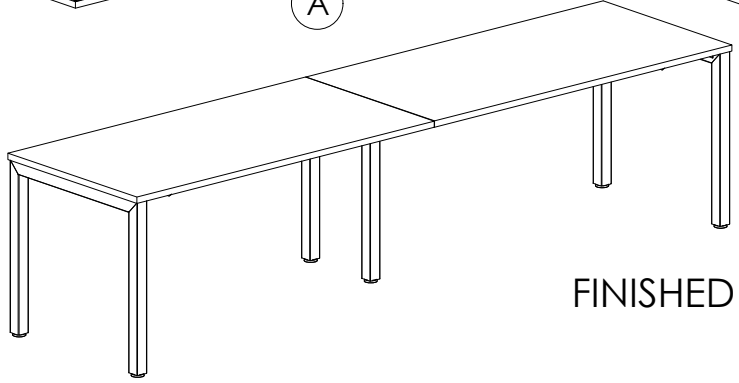
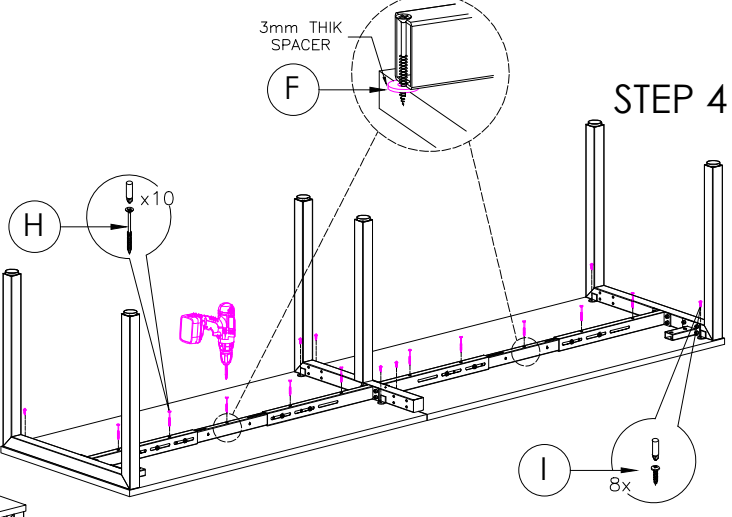
STEP 2



STEP 3



STEP 4






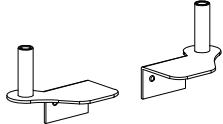
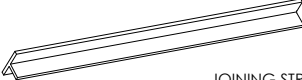
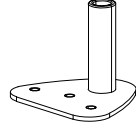

FINISHED



CAUTION:
HEAVY

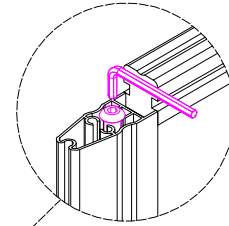
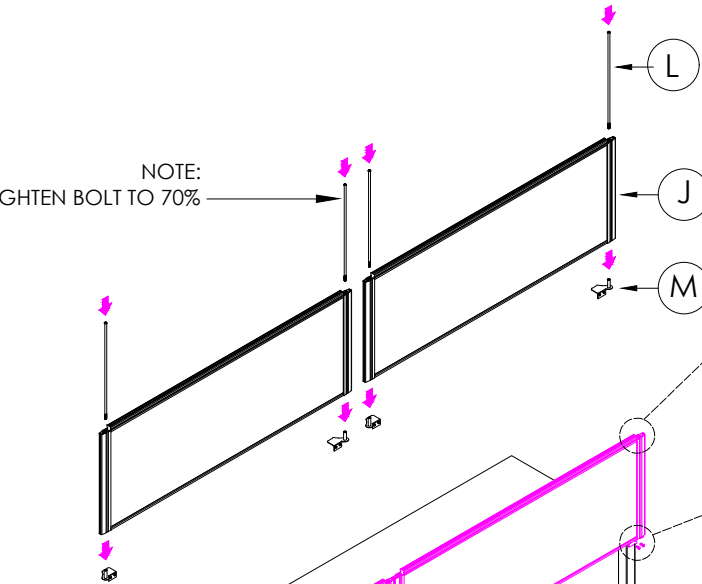


2 PERSON HEAVY
ASSEMBLY

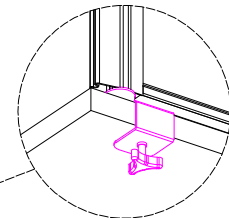
| | | | | | |
|---|--|----|--|--|-----|
| J | VARIOUS SIZES  S23 PARTITION | x2 | L |  ROD PACKED INSIDE THE PARTITION | x6 |
| K | GLASS / FABRIC  SCREEN | x1 | M | S23-BR520SM  BRACKETS | x2 |
| O |  JOINING STRIP | x1 | N |  SL-BR520TM | x2 |
| | | | P | 20mm  CHIPBOARD SCREW | x14 |
| | | | NOTE: CAN USE S23-BR520TM OR S23-BR520CL BRACKETS | | |

STEP 1

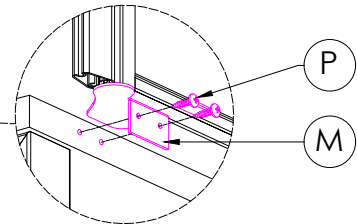
NOTE:
HAND TIGHTEN BOLT TO 70%



NOTE:
TIGHTEN ROD 100%
AFTER BRACKET FITTED
TO DESK.



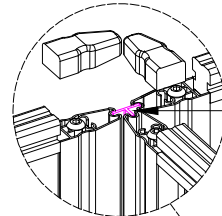
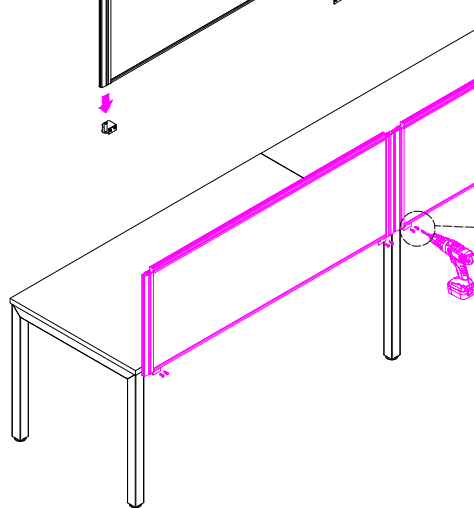
BRACKET OPTION
S23-BR520CL



PLASTIC JOIN CLOSE
T-1x

STEP 5

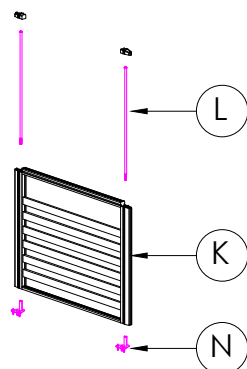
STEP 2



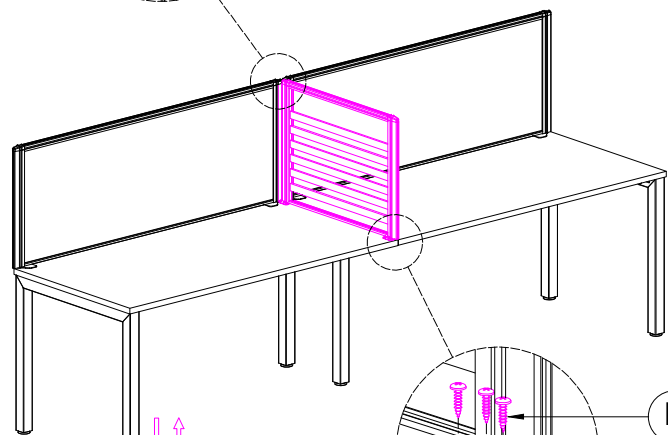
CAUTION:
HEAVY



2 PERSON HEAVY
ASSEMBLY



STEP 3



STEP 4

