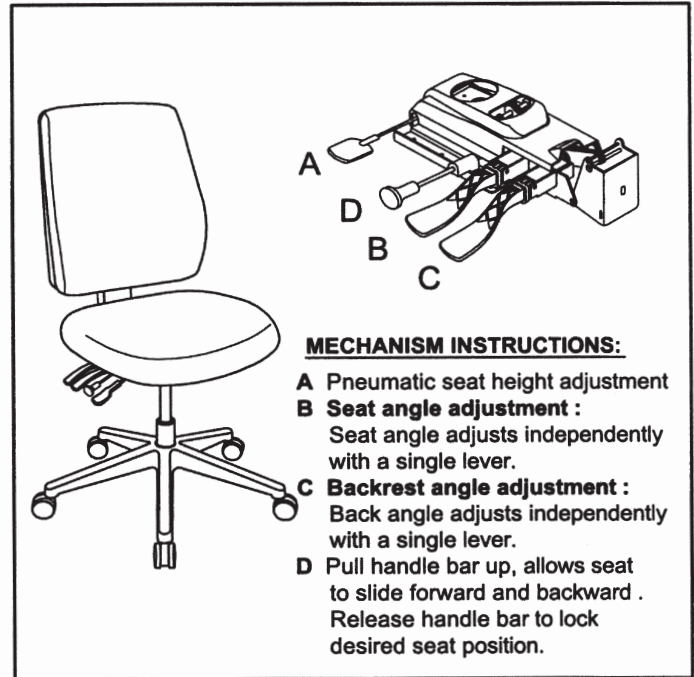
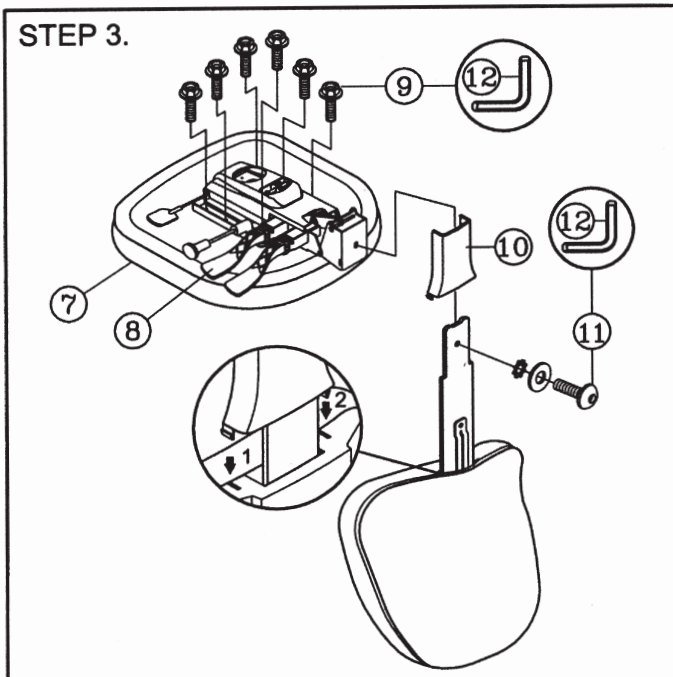
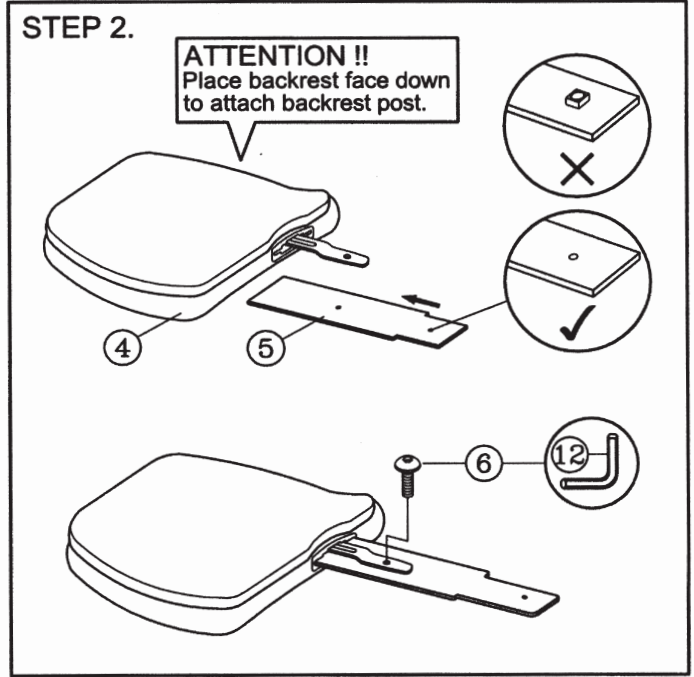
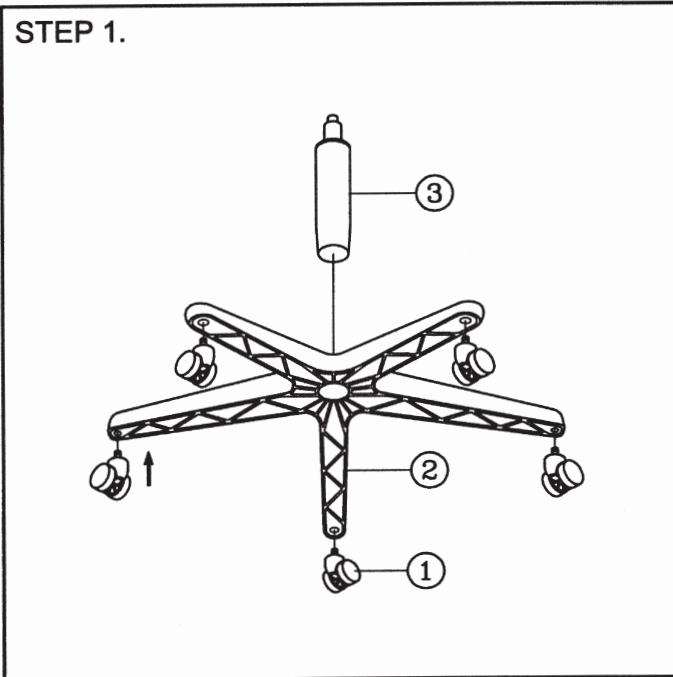


Ergoform

ERGOFORM/

PART LIST

KEY QTY DESCRIPTION	KEY QTY DESCRIPTION	KEY QTY DESCRIPTION
1 5 Caster	6 1 Backrest Screw	11 1 Backrest Bolt + Washers
2 1 Base	7 1 Seat	12 1 Allen Wrench
3 1 Seat Post	8 1 Mechanism	
4 1 Backrest	9 6 Mechanism Screw	
5 1 Backrest Post	10 1 Back Post Bellow	



ATTENTION

1. THIS ASSEMBLY INSTRUCTION IS ONLY FOR ASSEMBLING THE CHAIR. THE CHAIR DRAWING MAY BE DIFFERENT FROM CHAIR APPEARANCE.
2. SOME SCREWS MAY PREASSEMBLED , ASSEMBLERS CAN IGNORE THE STEP.
3. REMOVE ALL ITEMS FROM THE CARTON. VERIFY ALL PIECES BEFORE ASSEMBLY.

PREVENTIVE MAINTENANCE AND WARNING!

- IF ANY PARTS ARE MISSING, BROKEN, DAMAGED OR WORN, STOP USE OF THE PRODUCT UNTIL REPAIRS ARE MADE USING FACTORY AUTHORIZED PARTS.
- DISPOSE OF PACKAGING PROPERLY.
- FAILURE TO FOLLOW THESE WARNINGS COULD RESULT IN SERIOUS INJURY.
- EVERY SIX MONTHS, PLEASE MAKE SURE ALL BOLTS, SCREWS AND KNOBS ARE FULLY TIGHTENED TO ENSURE STABILITY.