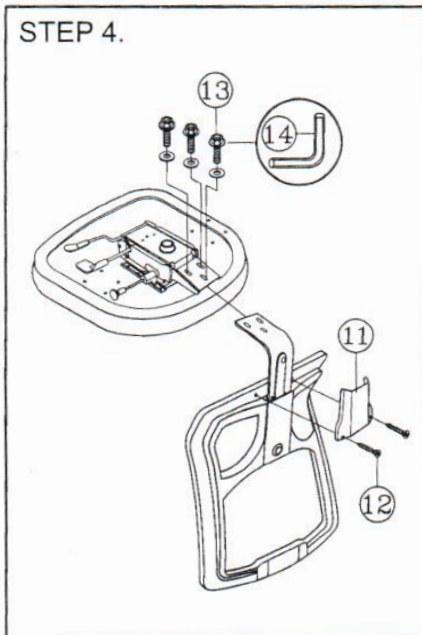
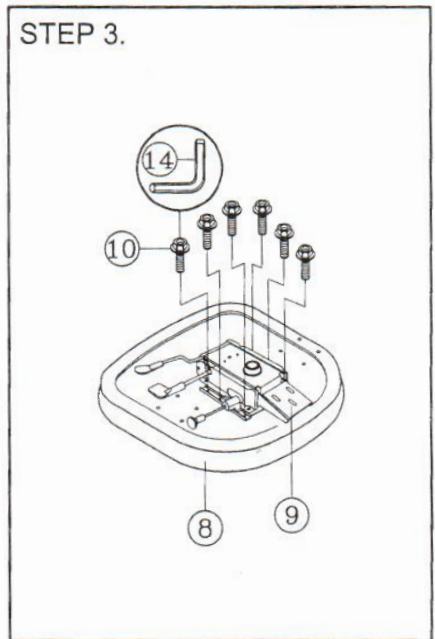
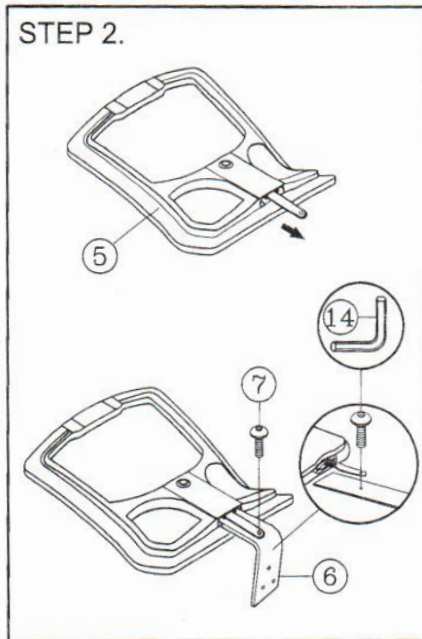
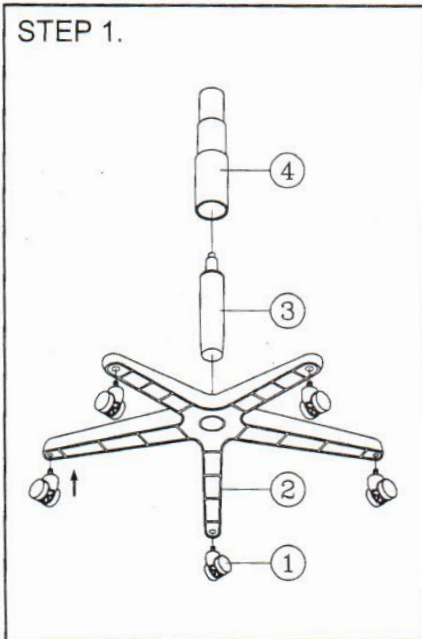


Sienna

Sienna

PARTS LIST

| KEY | QTY | DESCRIPTION | KEY | QTY | DESCRIPTION | KEY | QTY | DESCRIPTION |
|-----|-----|-----------------|-----|-----|---------------------|-----|-----|--------------------------|
| 1 | 5 | Caster | 6 | 1 | Backrest Post | 11 | 1 | Back Post Bellow |
| 2 | 1 | Base | 7 | 1 | Backrest Post Screw | 12 | 2 | Back Post Bellow Screw |
| 3 | 1 | Seat Post | 8 | 1 | Seat | 13 | 3 | Back Tight Bolt + Washer |
| 4 | 1 | Seat Post Cover | 9 | 1 | Mechanism | 14 | 1 | M5 Size Allen Wrench |
| 5 | 1 | Backrest | 10 | 6 | Mechanism Screw | | | |



MECHANISM INSTRUCTIONS :

- (A) Pneumatic seat height adjustment
- (B) **Seat & Back angle adjustment :** Synchronised seat and back angle with 4 locking positions. Body weight tension adjustment.
- (C) Pull handle bar out, allows seat to slide forward and backward. Release handle bar to lock desired seat position.

ATTENTION

1. THIS ASSEMBLY INSTRUCTION IS ONLY FOR ASSEMBLING THE CHAIR. THE CHAIR DRAWING MAY BE DIFFERENT FROM CHAIR APPEARANCE.
2. SOME SCREWS MAY PREASSEMBLED , ASSEMBLERS CAN IGNORE THE STEP.
3. REMOVE ALL ITEMS FROM THE CARTON. VERIFY ALL PIECES BEFORE ASSEMBLY.

PREVENTIVE MAINTENANCE AND WARNING!

- IF ANY PARTS ARE MISSING, BROKEN, DAMAGED OR WORN, STOP USE OF THE PRODUCT UNTIL REPAIRS ARE MADE USING FACTORY AUTHORIZED PARTS.
- DISPOSE OF PACKAGING PROPERLY.
- FAILURE TO FOLLOW THESE WARNINGS COULD RESULT IN SERIOUS INJURY.
- EVERY SIX MONTHS, PLEASE MAKE SURE ALL BOLTS, SCREWS AND KNOBS ARE FULLY TIGHTENED TO ENSURE STABILITY.

ASPIRE MESH H/B. ASPIRE MESH M/B. ASPIRE FABRIC H/B. ASPIRE FABRIC M/B.
MESH MIRAE SYNCHRO. SIENNA SYNCHRO